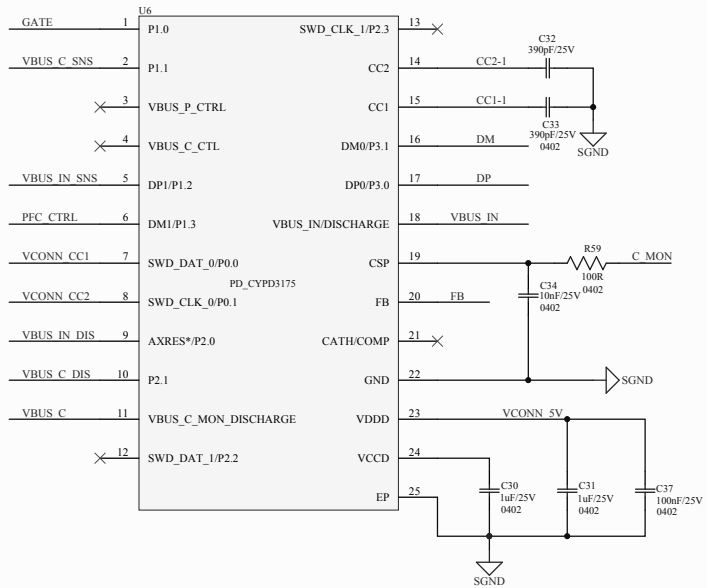
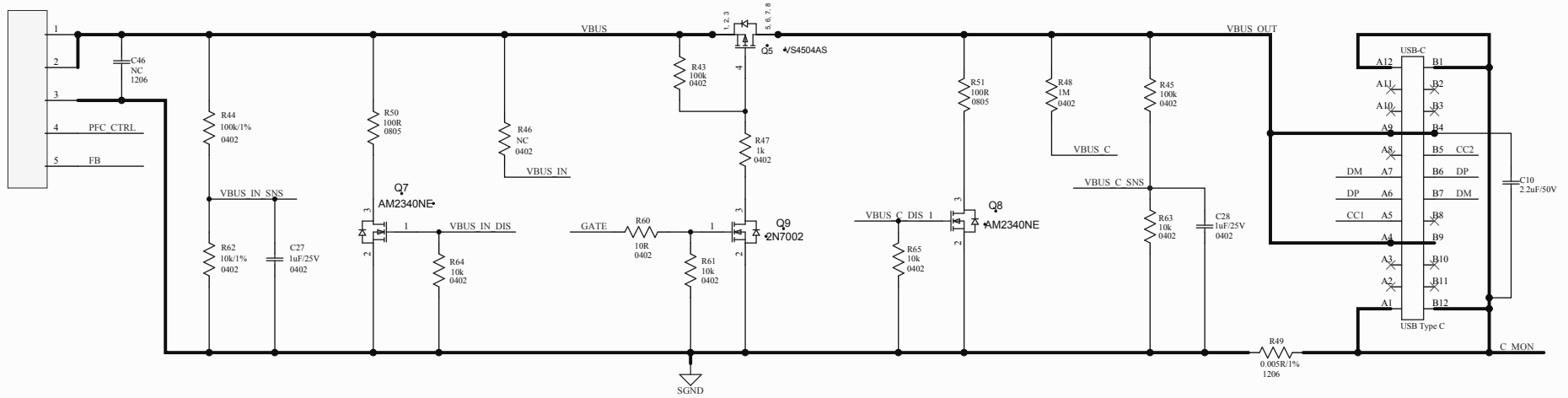
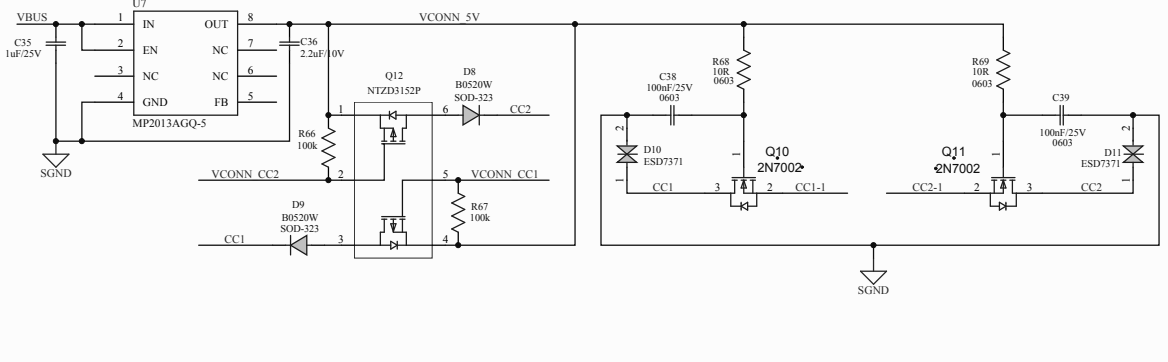


PD3.1



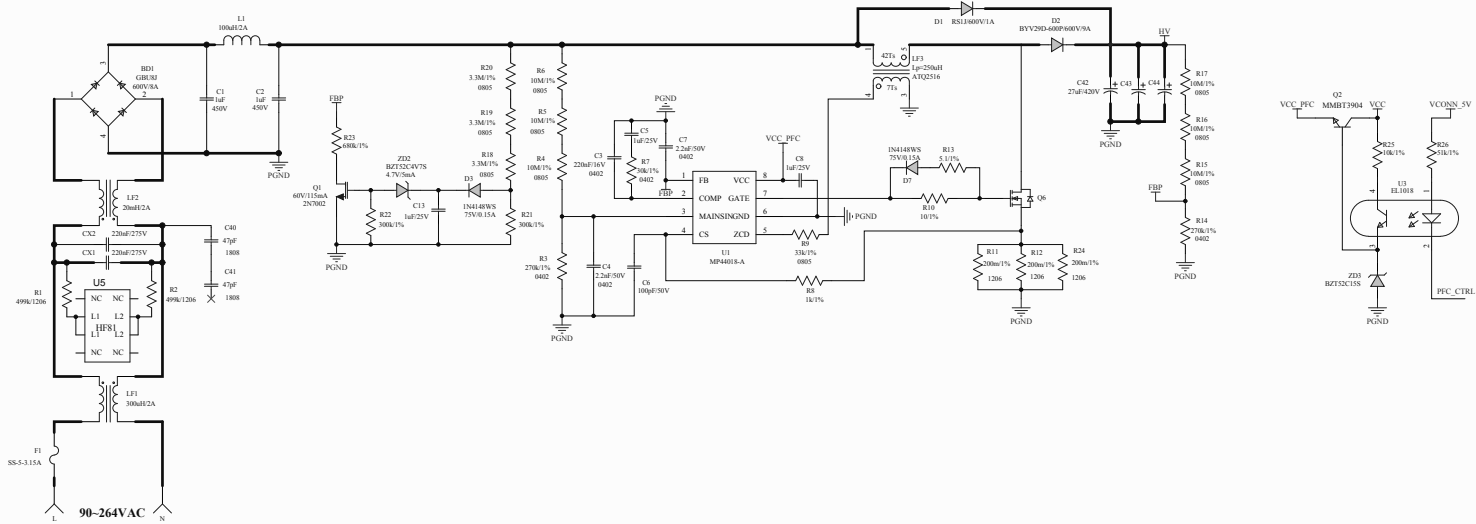
VCONN Power Circuit



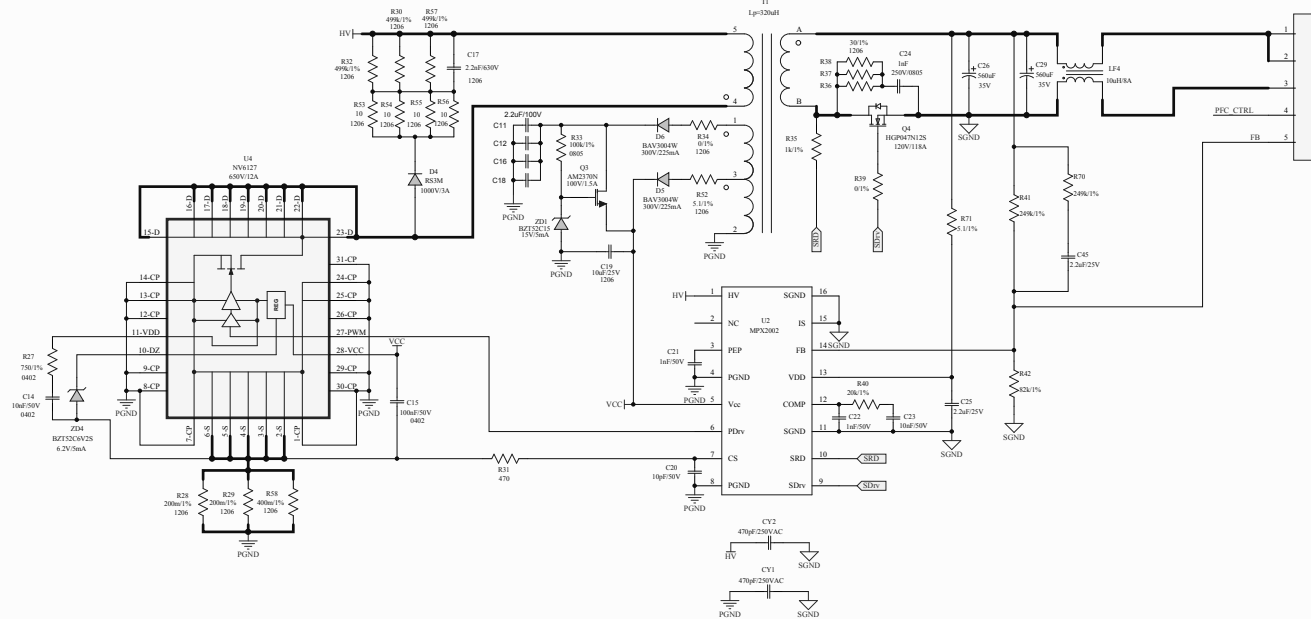
Title:	T-EVX2003-Y-02B		
Size:	A3	Drawer:	Evan
Date:	9/14/2024	Checker:	
File:		Revision:	Sheet: 1 of 1



PFC



Flyback Converter



**MPS Confidential
Customer Use Only
Do Not Distribute**