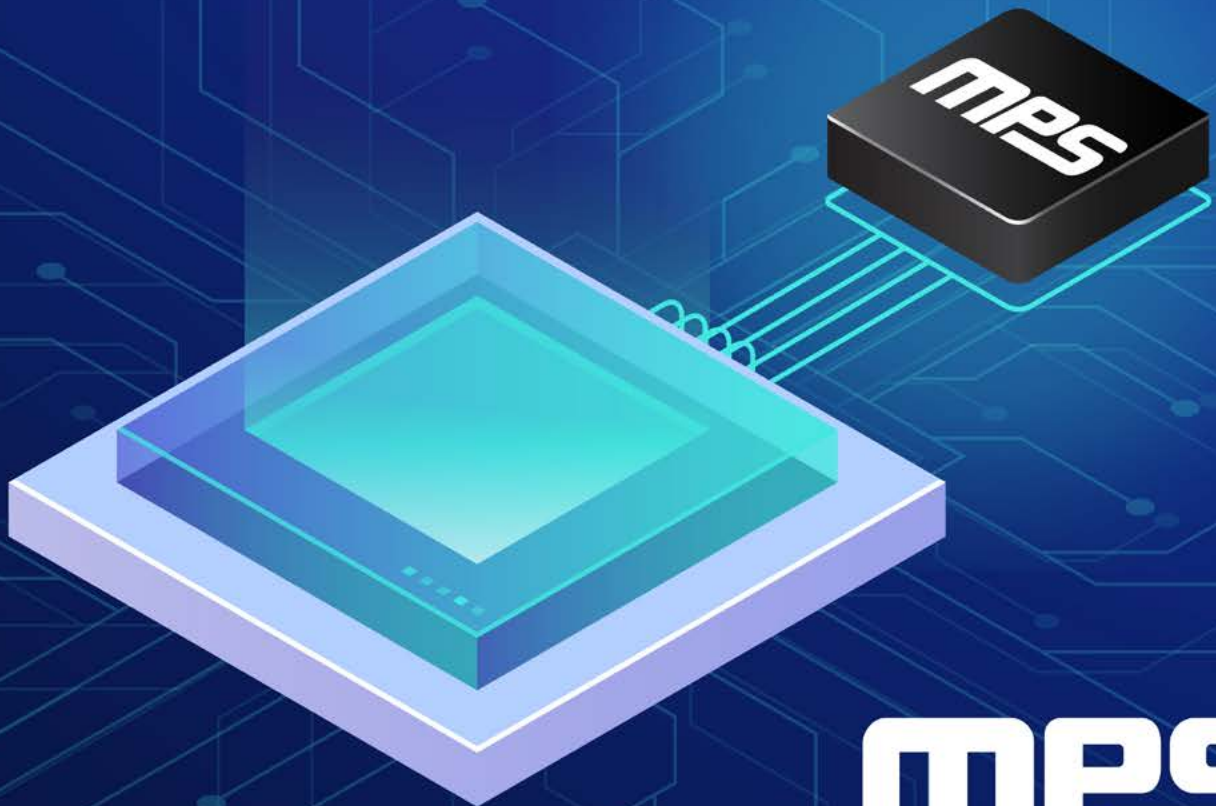


MPS Reference Designs for Intel FPGAs

Intel Enpirion Power Cross-Reference Guide

- ✓ High Efficiency
- ✓ Ultra-Fast Transient Response
- ✓ Small Footprint
- ✓ Full Reference Designs



MPS
MonolithicPower.com

In This Guide

Introduction

MPS Power Solutions for Intel FPGAs	3
---	---

MPS Power for Intel Agilex FPGAs

Intel Agilex Power Tree Example	3
MPS Products	3

MPS Power for Intel Stratix 10 FPGAs

Intel Stratix 10 FPGAs Tree Example	3
MPS Products	3

MPS Power for Intel Arria 10 FPGAs

MPS Products	4
Intel Arria 10 Device Power Tree Example	4

MPS Power for Intel Cyclone 10 FPGAs

MPS Products	4
Intel Cyclone 10 Power Tree Example	4

MPS Power for Intel Cyclone V Power

Intel Cyclone V Power Tree Example	5
MPS Products	5

MPS Power for Intel Max 10 Devices

Intel Max 10 Device Power Tree Example	5
MPS Products	5

MPS Cross-Reference Guide

MPS and Intel Enpirion Products	6
---------------------------------------	---

About MPS

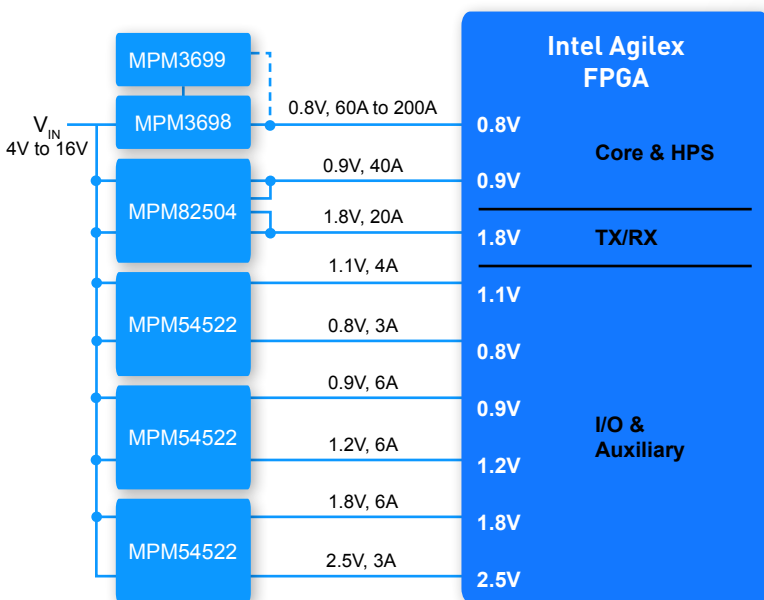
About Monolithic Power Systems	8
Contact & Ordering	9

Introduction

MPS offers an extensive portfolio of monolithic power solutions for Intel FPGAs, ranging from highly flexible and simple-to-use PWM regulators to fully integrated power modules. MPS has developed an innovative, proprietary process technology that delivers high efficiency, ultra-fast transient response, small size, and low solution cost. MPS technology and technical support makes powering FPGAs easier than ever.

MPS Power for Intel Agilex FPGAs

Intel Agilex Power Tree Example



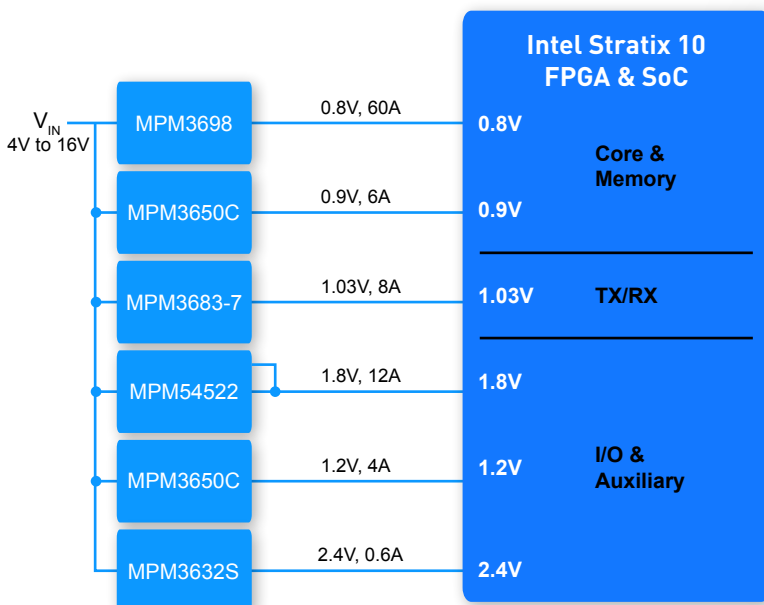
MPS PRODUCTS

V_{IN} (V)	I_{OUT} Max (A)	Recommended MPS Part
4 to 16	160A	MPM3699
4 to 16	120A	MPM3698
4 to 16	4 x 25A	MPM82504
4 to 16	2 x 6A	MPM54522

For Intel Enpirion part numbers, see the cross-reference guide on page 6.

MPS Power for Intel Stratix 10 FPGAs

Intel Stratix 10 FPGAs Power Tree Example



MPS PRODUCTS

V_{IN} (V)	I_{OUT} Max (A)	Recommended MPS Part
4 to 16	120A	MPM3698
4 to 16	6A	MPM3650C
4 to 16	8A	MPM3683-7
4 to 16	2 x 6A	MPM54522
4 to 16	3A	MPM3632S

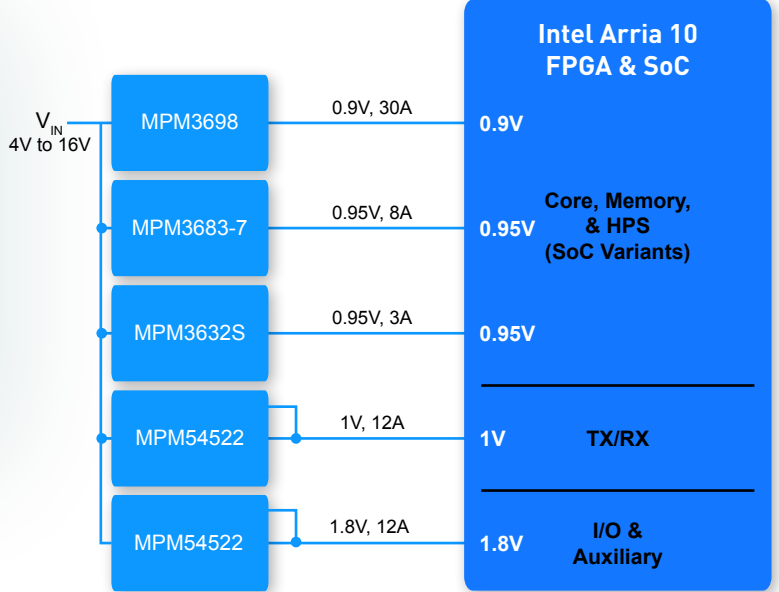
For Intel Enpirion part numbers, see the cross-reference guide on page 6.

MPS Power for Intel Arria 10 FPGAs

Intel Arria 10 Device Power Tree Example

MPS PRODUCTS		
V_{IN} (V)	I_{OUT} Max (A)	Recommended MPS Part
4 to 16	120A	MPM3698
4 to 16	8A	MPM3683-7
4 to 16	2 x 6A	MPM54522
4 to 16	3A	MPM3632S

For Intel Enpirion part numbers, see the cross-reference guide on page 6.

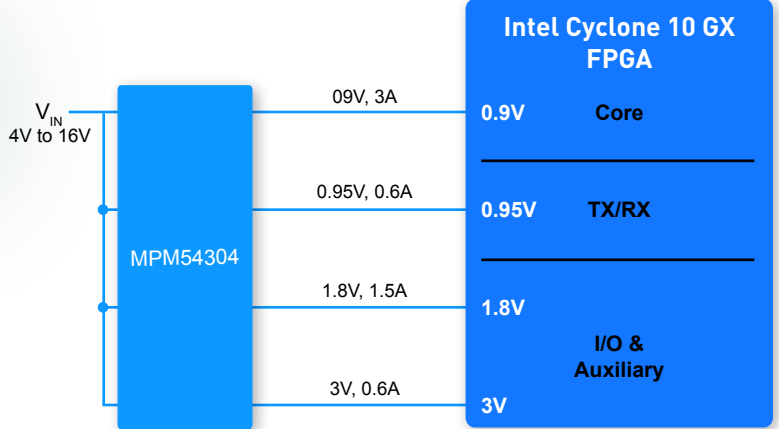


MPS Power for Intel Cyclone 10 FPGAs

Intel Cyclone 10 Power Tree Example

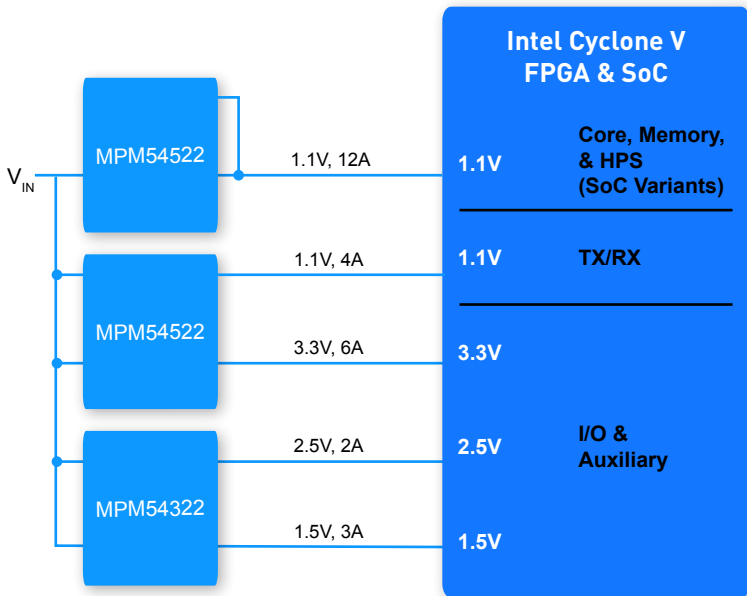
MPS PRODUCTS		
V_{IN} (V)	I_{OUT} Max (A)	Recommended MPS Part
4 to 16	2 x 2A plus 2 x 3A	MPM54304

For Intel Enpirion part numbers, see the cross-reference guide on page 6.



MPS Power for Intel Cyclone V Power

Intel Cyclone V Power Tree Example



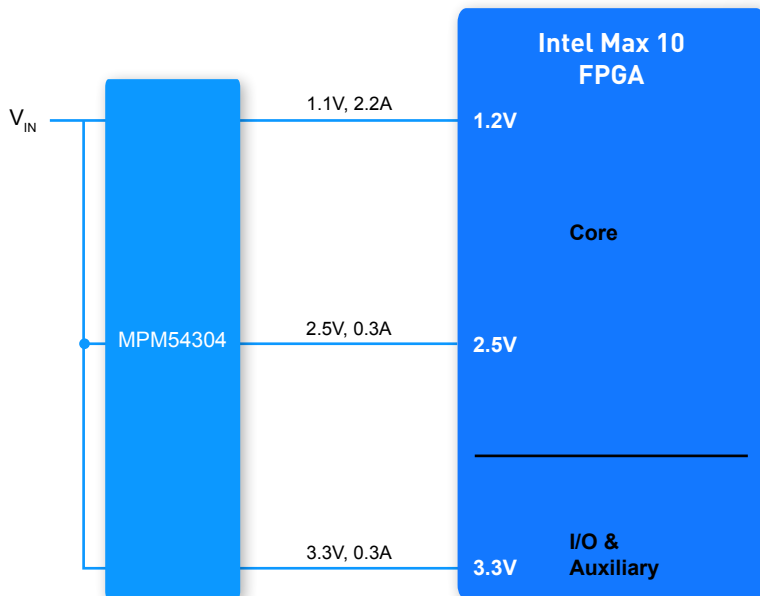
MPS PRODUCTS

V_{IN} (V)	I_{OUT} Max (A)	Recommended MPS Part
4 to 16	2 x 6A	MPM54522
4 to 16	2 x 3A	MPM54322

For Intel Enpirion part numbers, see the cross-reference guide on page 6.

MPS Power for Intel Max 10 Devices

Intel Max 10 Device Power Tree Example



MPS PRODUCTS

V_{IN} (V)	I_{OUT} Max (A)	Recommended MPS Part
4 to 16	2 x 2A plus 2 x 3A	MPM54304

For Intel Enpirion part numbers, see the cross-reference guide on page 6.

MPS Cross-Reference Guide

MPS AND INTEL ENPIRION PRODUCTS

Max I _{OUT} (A)	V _{IN} Range (V)	Intel Enpirion Part Number	MPS Part Number	MPS Advantages
0.4	2.5 to 5.5	EP5348UI	MPM3804	7% higher efficiency
0.5	2.4 to 5.5	EP5352QI	MPM3805	60% smaller, PG
0.6	2.4 to 5.5	EP5357HUI	MPM3804	30% smaller
0.6	2.4 to 5.5	EP5357LUI	MPM3804	30% smaller
0.6	2.4 to 5.5	EP5358HUA	MPM3805-AEC1	3% higher efficiency, PG
0.6	2.4 to 5.5	EP5358HUI	MPM3804	30% smaller
0.6	2.4 to 5.5	EP5358LUA	MPM3805-AEC1	2% higher efficiency, PG
0.6	2.4 to 5.5	EP5358LUI	MPM3804	30% smaller
0.6	2.4 to 5.5	EP5362QI	MPM3805	60% smaller, 3% higher efficiency, PG
0.6	2.4 to 5.5	EP5368QI	MPM3805	60% smaller, 8% higher efficiency, PG
0.8	2.4 to 5.5	EP5382QI	MPM3811	80% smaller, 2% higher efficiency
0.8	2.4 to 5.5	EP5388QI	MPM3811	60% smaller, 5% higher efficiency,
1	2.4 to 5.5	EN5312QI	MPM3811	80% smaller, 6% higher efficiency
1	2.7 to 5.5	EN6310QA	MPM3810-AEC1	60% smaller, 3% higher efficiency
1	2.7 to 5.5	EN6310QI	MPM3810	60% smaller, 3% higher efficiency
1	2.4 to 5.5	EP53A7HQI	MPM3811	60% smaller
1	2.4 to 5.5	EP53A7LQI	MPM3811	60% smaller
1	2.4 to 5.5	EP53A8HQA	MPM3811	60% smaller, 4% higher efficiency
1	2.4 to 5.5	EP53A8HQI	MPM3811	60% smaller, 4% higher efficiency
1	2.4 to 5.5	EP53A8LQA	MPM3810-AEC1	20% smaller, 4% higher efficiency
1	2.4 to 5.5	EP53A8LQI	MPM3811	60% smaller, 4% higher efficiency
1	2.4 to 6.6	EN5311QI	MPM3811	80% smaller, 6% higher efficiency
1.5	2.4 to 5.5	EN5319QI	MPM3822C	60% smaller, 2% higher efficiency
1.5	2.4 to 5.5	EP53F8QI	MPM3822C	3% smaller, 2% higher efficiency
2	2.4 to 5.5	EN5322QI	MPM3822C	60% smaller, 1% higher efficiency
2	2.4 to 5.5	EN5329QI	MPM3822C	60% smaller
3	2.4 to 5.5	EN5337QI	MPM3833C	70% smaller
3	2.4 to 5.5	EN5339QI	MPM3833C	60% smaller
3	2.4 to 6.6	EN5335QI	MPM3833C	90% smaller, 2% higher efficiency
3	2.4 to 6.6	EN5336QI	MPM3833C	90% smaller, 2% higher efficiency
3	2.5 to 6.6	EN6337QA	MPM3833C	70% smaller
3	2.5 to 6.6	EN6337QI	MPM3833C	70% smaller
3	2.7 to 6.6	EN6338QI	MPM3833C	40% smaller
4	2.7 to 6.6	EN6340QI	MPM3860	1% higher efficiency

MPS Cross-Reference Guide

MPS AND INTEL ENPIRION PRODUCTS

Max I _{OUT} (A)	V _{IN} Range (V)	Intel Enpirion Part Number	MPS Part Number	MPS Advantages
4	2.5 to 6.6	EN6347QA	MPM3840	50% smaller
4	2.5 to 6.6	EN6347QI	MPM3840	50% smaller
4	4.5 to 14	EN2340QI	MPM3650C	70% smaller
4	4.5 to 14	EN2342QI	MPM3650C	70% smaller
4.5	10 to 13.2	EC2630QI	MPM3650C	20% smaller
6	2.4 to 5.5	EN5365QI	MPM3860	80% smaller, 9% higher efficiency
6	2.4 to 5.5	EN5366QI	MPM3860	80% smaller, 9% higher efficiency
6	2.5 to 5.5	EN5367QI	MPM3860	60% smaller, 7% higher efficiency
6	2.4 to 6.6	EN5364QI	MPM3860	70% smaller, 4% higher efficiency
6	3 to 6.5	EN6362QI	MPM3860	60% smaller
6	2.7 to 6.6	EN6363QI	MPM3860	3% higher efficiency
8	2.5 to 6.6	EN6360QA	MPM3683-7	40% smaller, 2% higher efficiency
8	2.5 to 6.6	EN6360QI	MPM3683-7	40% smaller, 2% higher efficiency
8	3 to 6.5	EN6382QI	MPM3683-7	20% smaller, 2% higher efficiency
9	2.4 to 5.5	EN5395QI	MPM3683-10	60% smaller
9	2.4 to 5.5	EN5396QI	MPM3683-10	60% smaller
9	2.4 to 6.6	EN5394QI	MPM3683-10	40% smaller
12	2.5 to 6.6	EN63A0QI	MPM3683-20	55% smaller
12	2.5 to 6.6	EN63A0QA	MPM3683-20	55% smaller
20	4.5 to 16	EM2120HxQI	MPM3695-25	40% smaller
20	4.5 to 16	EM2120LxQI	MPM3695-25	40% smaller
30	4.5 to 16	EM2030xQI	MPM3690-50D	5% higher peak efficiency
30	4.5 to 16	EM2130HxQI	MPM3690-50D	5% higher peak efficiency
30	4.5 to 16	EM2130LxQI	MPM3690-50D	5% higher peak efficiency
40	4.5 to 16	EM2040xQI	MPM3690-50D	5% higher peak efficiency
40	4.5 to 16	EM2140PxQI	MPM3690-50D	5% higher peak efficiency
60	4.5 to 16	EM2260xQI	MPM3695-100	5% higher peak efficiency
80	4.5 to 16	EM2280xQI	MPM3695-100	5% higher peak efficiency
10	9 to 16	EN29A0QI	MPM3683-10	70% smaller, PG

ABOUT MONOLITHIC POWER SYSTEMS

Who we are

We are creative thinkers. We break boundaries. We take technology to new levels. As a leading international semiconductor company, Monolithic Power Systems (MPS) creates cutting-edge solutions to improve the quality of life with green, easy-to-use products.

What we do

We make power design fun! With our innovative proprietary technology processes, we thrive on re-imagining and redefining the possibilities of high-performance power solutions in industrial applications, telecom infrastructures, cloud computing, automotive, and consumer applications.

Where we come from

It started with a vision. Michael Hsing, pioneering engineer and CEO, founded Monolithic Power Systems, Inc. in 1997 with the belief that an entire power system could be integrated onto a single chip. Under his leadership, MPS has succeeded not only in developing a monolithic power module that truly integrates an entire power system in a single package, but also it continues to defy industry expectations with its patented groundbreaking technologies.

Our values

We cultivate creativity.

As a company, we believe in creating an environment that encourages and challenges our employees to collaborate and think outside the box to excel beyond their preconceived capabilities.

We do not accept the status quo.

We do not believe in limitations. It is not about what is, but what can be. Possibilities are endless at MPS.

We are passionate about sustainability.

It's about the future. From materials to finances, we are committed to conservation. We will not tolerate waste in an effort to improve and preserve the quality of life.

We are committed to providing innovative products to our customers.

Let us do the heavy lifting. We relentlessly strive to make system design versatile and effortless to meet our customers' specific needs. We'll do the work, so our customers can have the fun!

CONTACT & ORDERING

Seattle
San Jose

Detroit

Munich
Barcelona
Tolochenaz

Bangalore

Singapore

Shanghai
Chengdu
Shenzhen
Hangzhou
Taiwan

Tokyo
South Korea

Regional Headquarters

MPS Seattle

5808 Lake Washington Blvd. NE
Kirkland, WA 98033, USA
Tel: +1 425-296-9956

MPS San Jose

79 Great Oaks Blvd.
San Jose, CA 95119, USA
Tel: +1 408-826-0600

MPS China Chengdu

#8 Kexin Road West Park of Export
Processing Zone West Hi-Tech Zone
Chengdu, Sichuan, 611731
Tel: +86-28-8730-3000

MPS China Hangzhou

Floor 6, Building A2, Xixi Center,
No. 588 West Wenyi Road, Xihu District
Hangzhou, Zhejiang, 310012
Tel: +86-571-8981-8588

MPS Switzerland

Route de Lully 5 A
1131 Tolochenaz, Switzerland
Tel: +41-21-805-0100

MPS Spain

Av. Josep Tarradellas 123, 5-A
08029 Barcelona, Spain
Tel: +34-931-815-400

MPS Investor Relations

Tel: +1 408-826-0777

Asia Sales Offices

MPS China Chengdu

#8 Kexin Road West Park of Export
Processing Zone West Hi-Tech Zone
Chengdu, Sichuan, 611731
Tel: +86-28-8730-3000

MPS China Shanghai

Floor 27, Magnolia Plaza, No. 777,
Hongqiao Road, Xuhui District
Shanghai 20030
Tel: +86-21-2225-1700

MPS Singapore

5 Tampines Central 6
#03-38, Singapore 529482
Tel: +65-65918705

MPS China Hangzhou

Floor 6, Building A2, Xixi Center,
No. 588 West Wenyi Road, Xihu District
Hangzhou, Zhejiang, 310012
Tel: +86-571-8981-8588

MPS China Shenzhen

Room 1401, Kingkey Riverfront Times
Square Branch North,
Binhe Avenue South, Futian District
Shenzhen Guangdong, 518054
Tel: +86-755-3688-5818

MPS Japan

Shinjuku Sumitomo Bldg. 31F
2-6-1 Nishishinjuku Shinjuku-ku,
Tokyo 163-0231, Japan
Tel: +81-3-5989-0885

MPS Korea

C 403, 4F Pangyo Digital Center, Sampo-
ong-dong 624 5pilgi, Bundang-gu,
SeongNam-city, Kyunggi-do, Korea
Tel: +82-2-598-2307

MPS Taiwan

29F, No. 97, Section 1, Xintai 5th Rd.
Xizhi District, New Taipei City
Tel: +886-2-86911600

MPS India

Unit G-12, Prestige Towers,
No 99 / 100, Residency Road,
Bangalore 560025
Tel: +91-80-4124-0312 / 20

US Sales Offices

MPS US

79 Great Oaks Blvd.
San Jose, CA 95119, USA
Tel: +1 408-826-0600

MPS Detroit

19499 Victor Parkway
Livonia, MI 48152, USA
Tel: +1 248-907-0222

EU Sales Offices

MPS Europe

Alte Landstrasse 25
85521 Ottobrunn, Germany
Tel: +49-89-80913512-0

MPS Spain

Av. Josep Tarradellas 123, 5-A
08029 Barcelona, Spain
Tel: +34-931-815-400

MPS Germany

Gutenbergstrasse 4,
77955 Ettenheim, Germany

Want to order?

Visit MonolithicPower.com

Online Order Support:

1-408-826-0736

eOrder@monolithicpower.com

