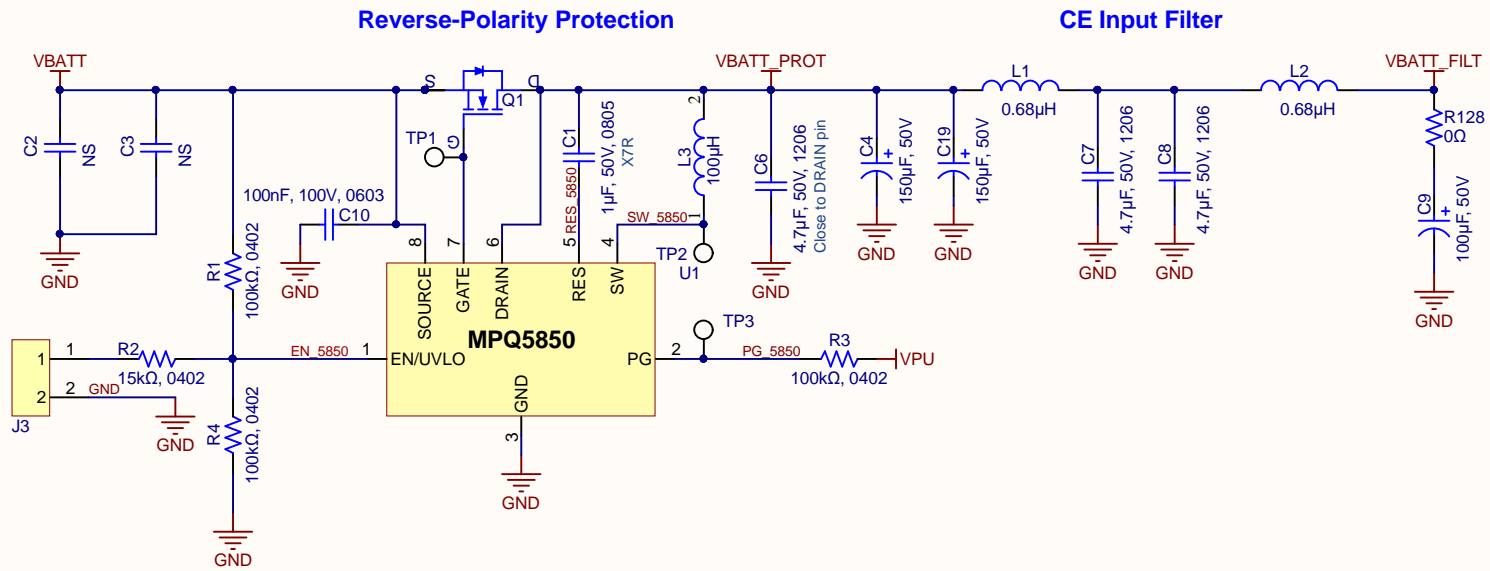
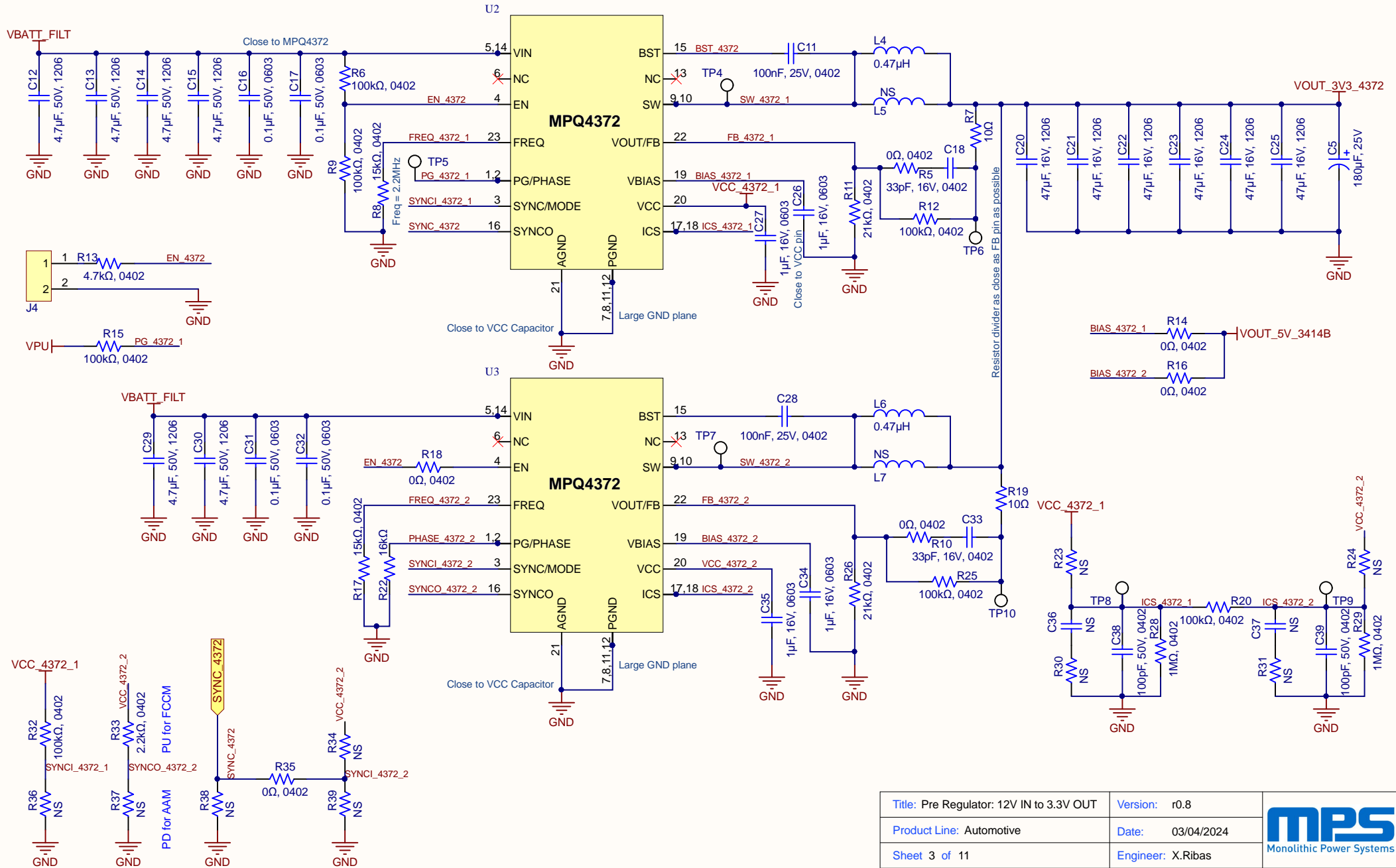


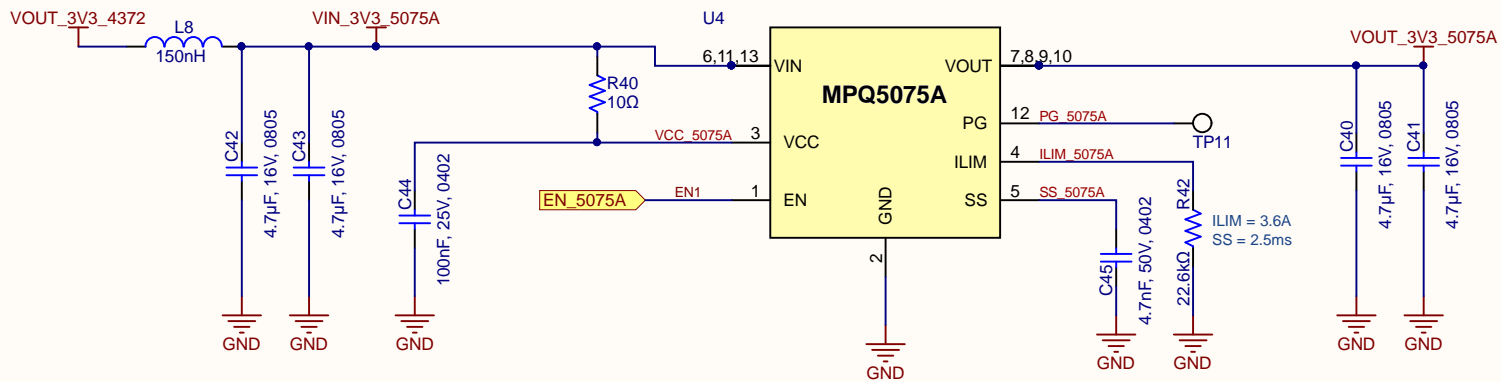
Title: Project Block Diagram	Version: r0.8	
Product Line: Automotive	Date: 03/04/2024	
Sheet 1 of 11	Engineer: X.Ribas	
For more information on this design contact your local FAE or visit www.monolithicpower.com		




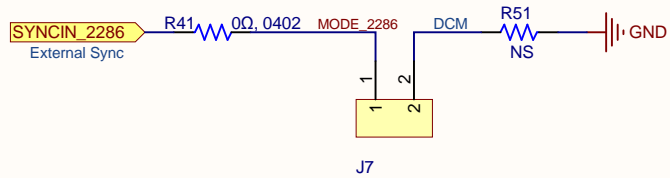
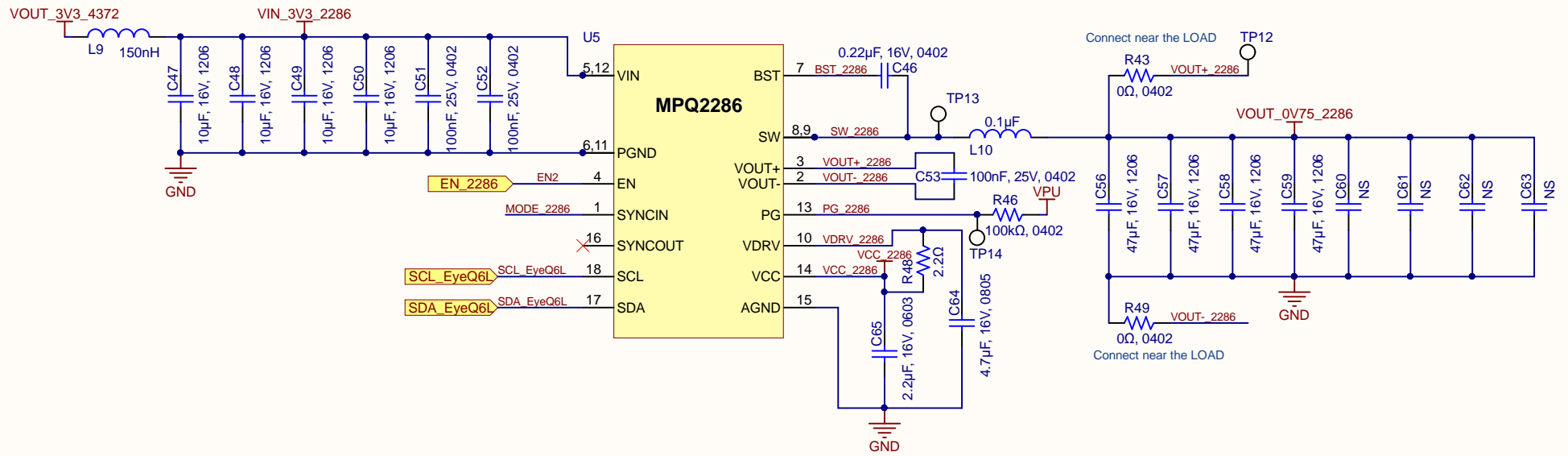
Title: Reverse Polarity Protection and EMI	Version: r0.8	
Product Line: Automotive	Date: 03/04/2024	
Sheet 2 of 11	Engineer: X.Ribas	
For more information on this design contact your local FAE or visit www.monolithicpower.com		




Title: Pre Regulator: 12V IN to 3.3V OUT	Version: r0.8	
Product Line: Automotive	Date: 03/04/2024	
Sheet 3 of 11	Engineer: X.Ribas	
For more information on this design contact your local FAE or visit www.monolithicpower.com		

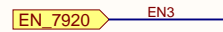
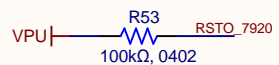
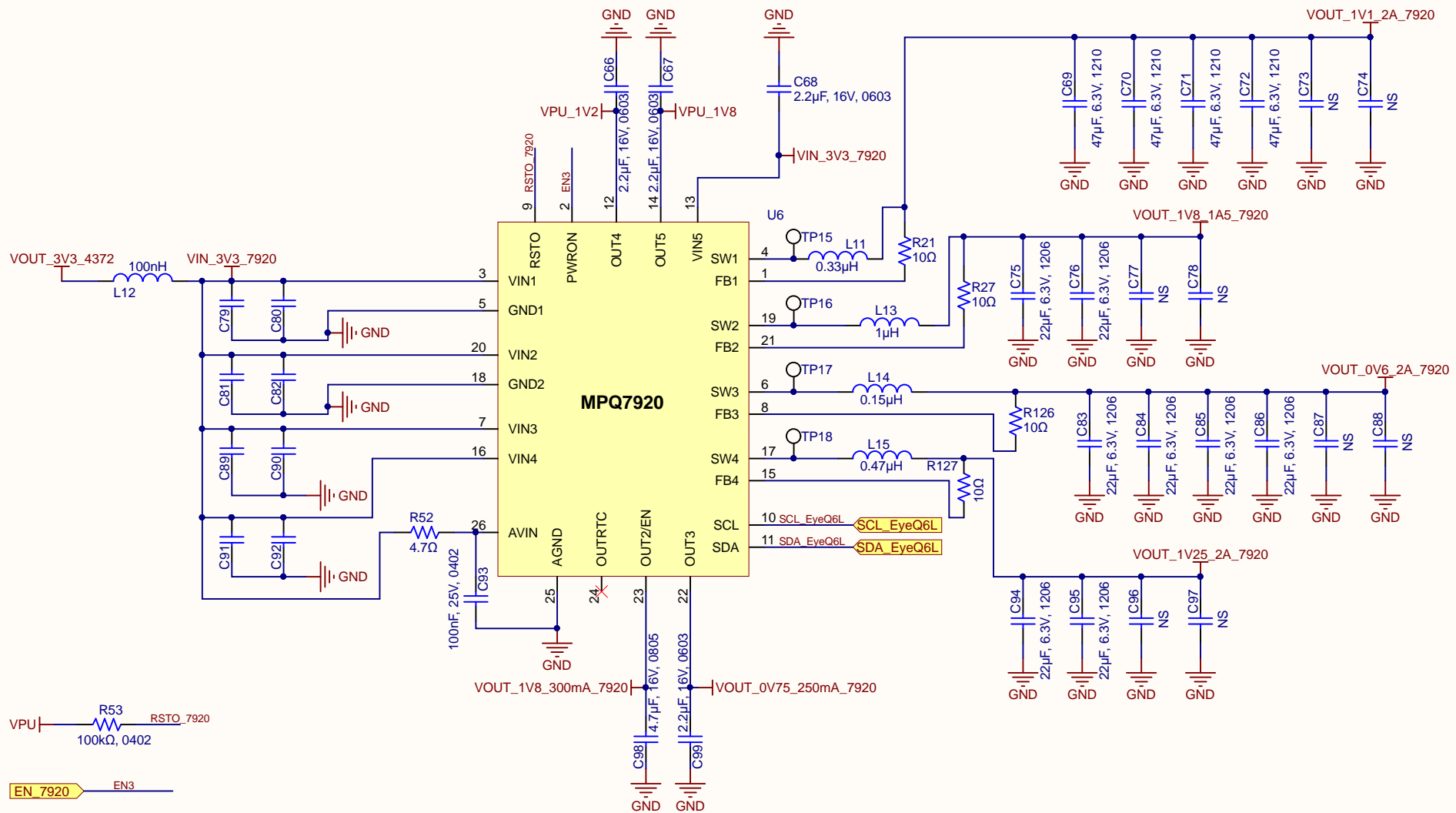



Title: MPQ5075A PoL	Version: r0.8	
Product Line: Automotive	Date: 03/04/2024	
Sheet 4 of 11	Engineer: X.Ribas	
For more information on this design contact your local FAE or visit www.monolithicpower.com		

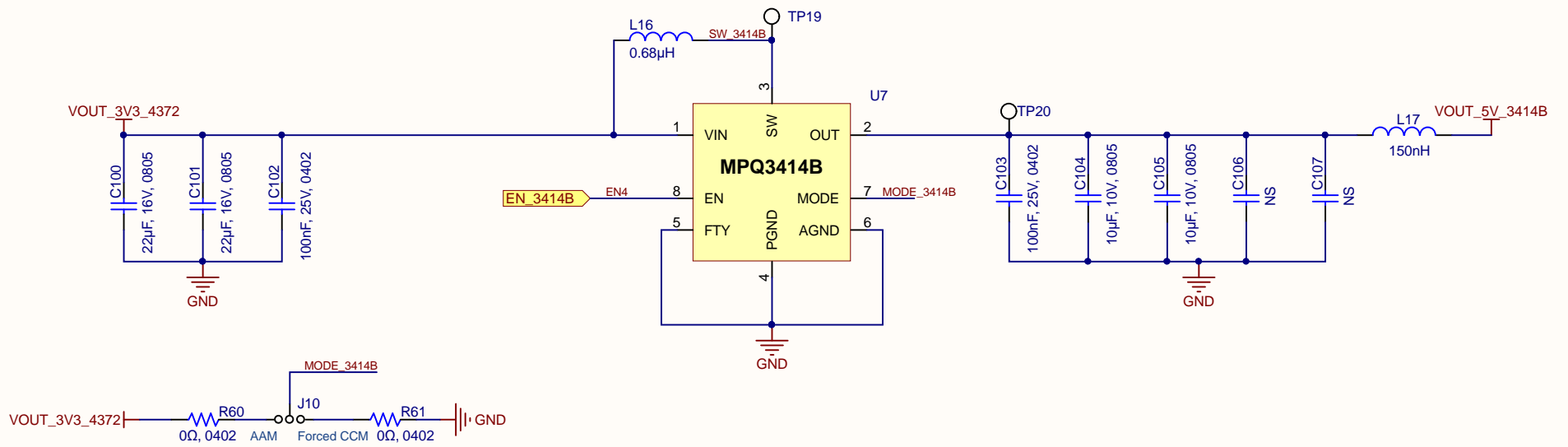



Title: MPQ2286 PoL	Version: r0.8	
Product Line: Automotive	Date: 03/04/2024	
Sheet 5 of 11	Engineer: X.Ribas	

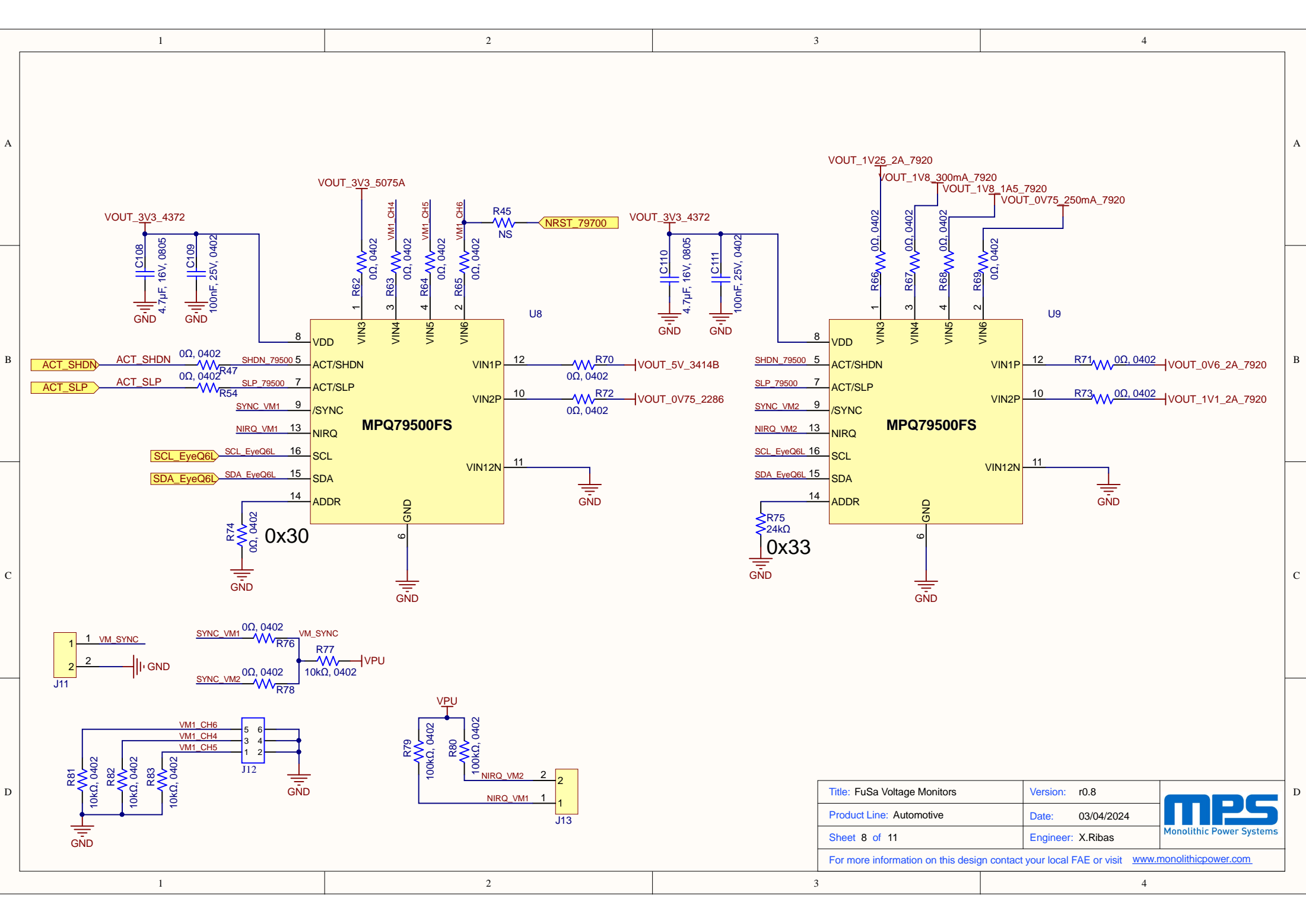
For more information on this design contact your local FAE or visit www.monolithicpower.com




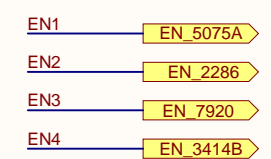
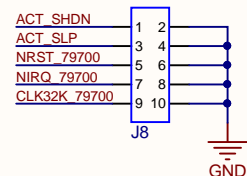
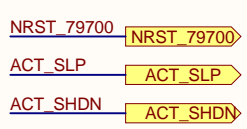
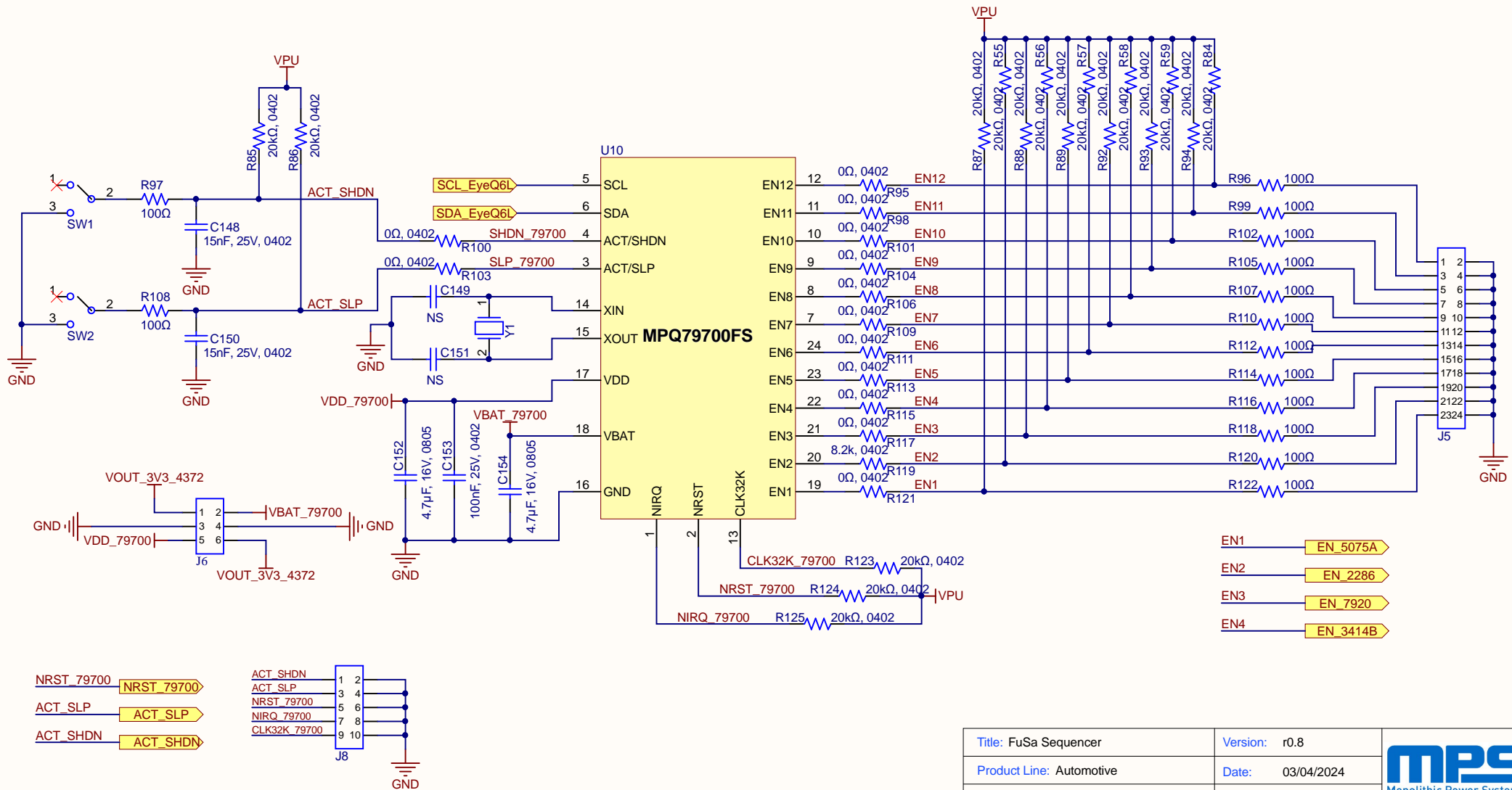
Title: MPQ7920 PPoL	Version: r0.8	
Product Line: Automotive	Date: 03/04/2024	
Sheet 6 of 11	Engineer: X.Ribas	
For more information on this design contact your local FAE or visit www.monolithicpower.com		



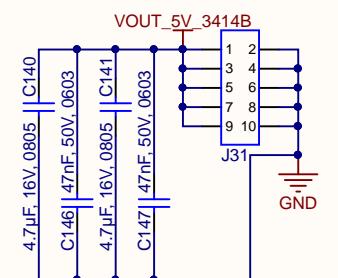
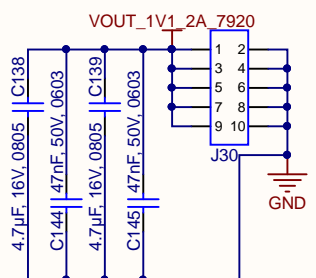
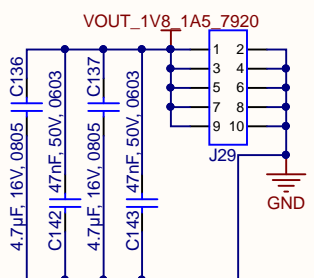
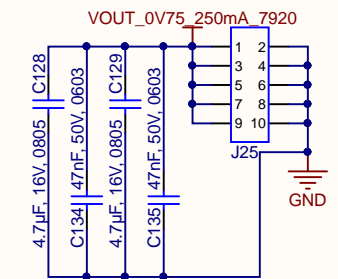
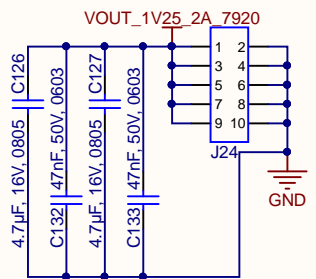
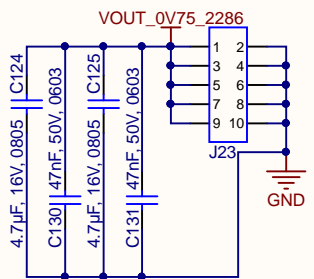
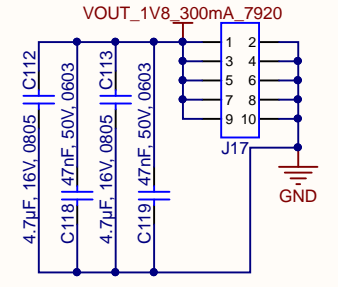
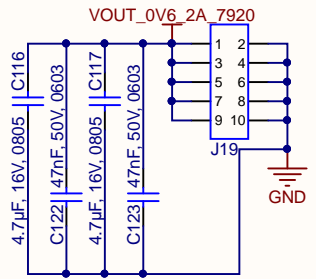
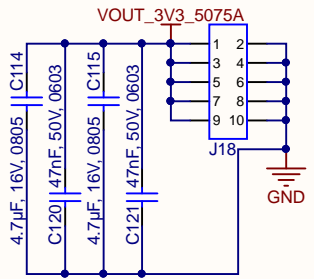
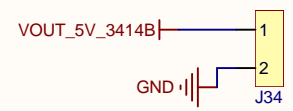
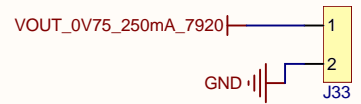
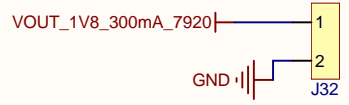
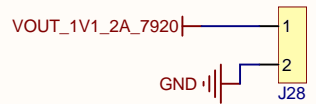
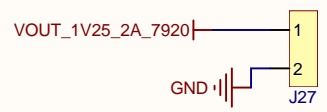
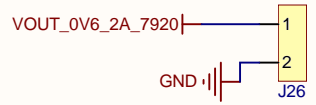
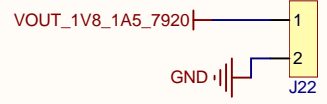
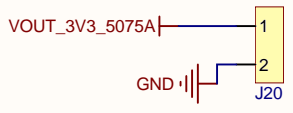
Title: MPQ3414B PoL	Version: r0.8	
Product Line: Automotive	Date: 03/04/2024	
Sheet 7 of 11	Engineer: X.Ribas	
For more information on this design contact your local FAE or visit www.monolithicpower.com		




Title: FuSa Voltage Monitors	Version: r0.8	
Product Line: Automotive	Date: 03/04/2024	
Sheet 8 of 11	Engineer: X.Ribas	
For more information on this design contact your local FAE or visit www.monolithicpower.com		



Title: FuSa Sequencer	Version: r0.8	
Product Line: Automotive	Date: 03/04/2024	
Sheet 9 of 11	Engineer: X.Ribas	
For more information on this design contact your local FAE or visit www.monolithicpower.com		



Title: PoL Connectors	Version: r0.8	
Product Line: Automotive	Date: 03/04/2024	
Sheet 10of 11	Engineer: X.Ribas	
For more information on this design contact your local FAE or visit www.monolithicpower.com		

1

2

3

4

A

A

B

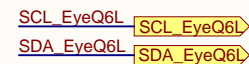
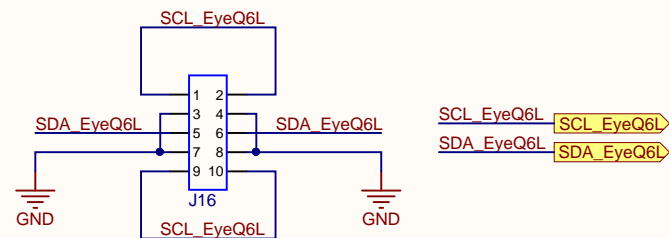
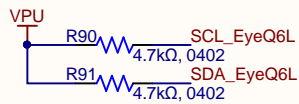
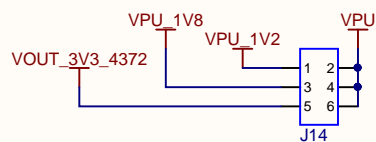
B

C

C

D

D



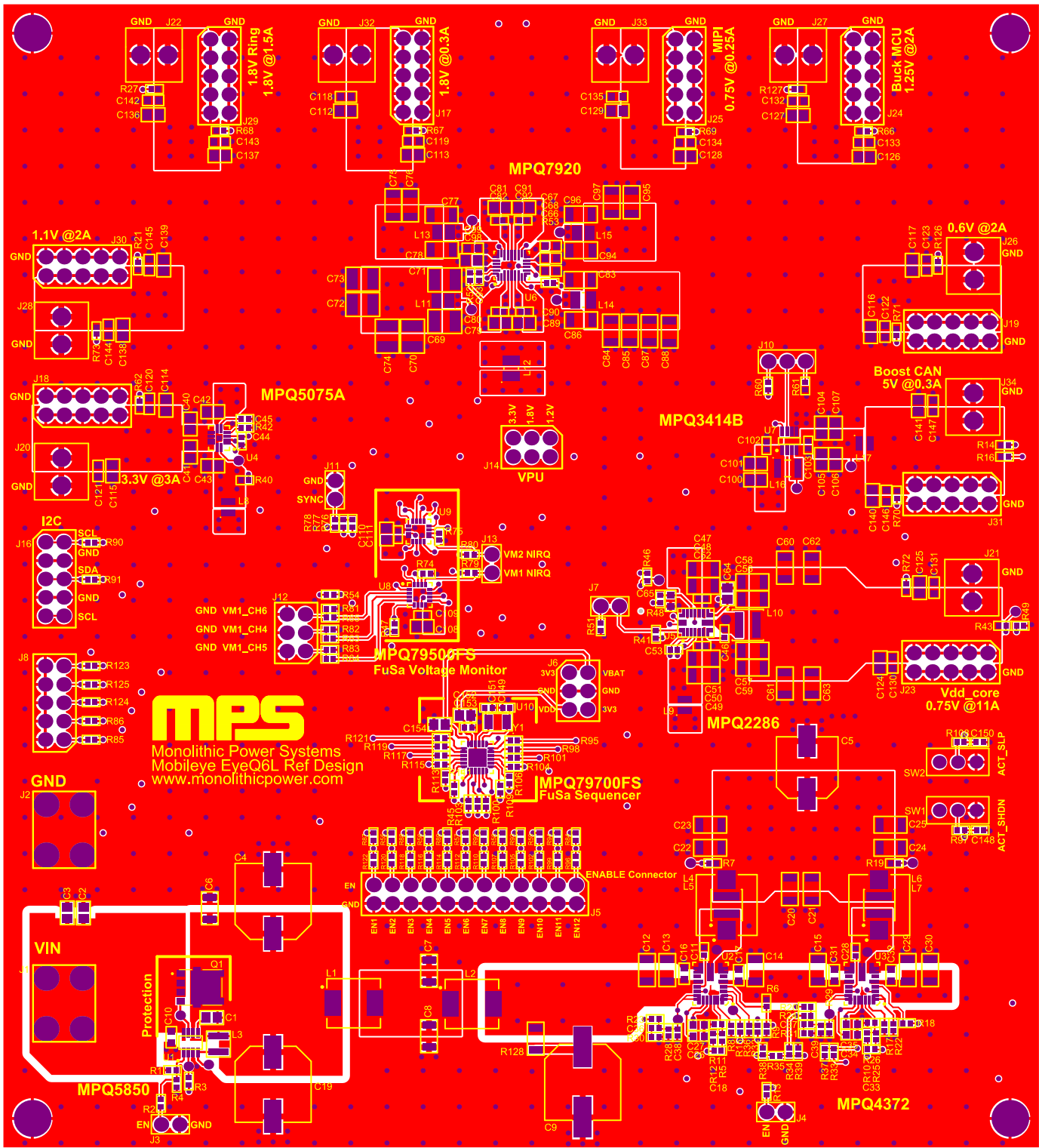
Title: Connectors	Version: r0.8	
Product Line: Automotive	Date: 03/04/2024	
Sheet 11 of 11	Engineer: X.Ribas	
For more information on this design contact your local FAE or visit www.monolithicpower.com		

1

2

3

4



MPS
Monolithic Power Systems
Mobileye EyeQ6L Ref Design
www.monolithicpower.com

