

A

B

C

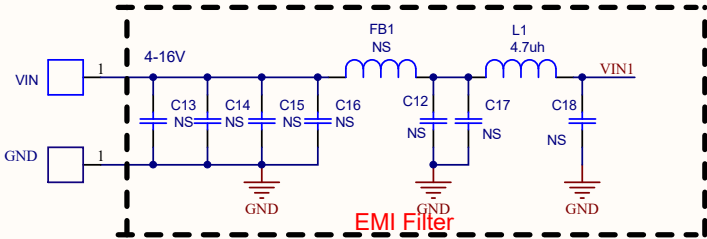
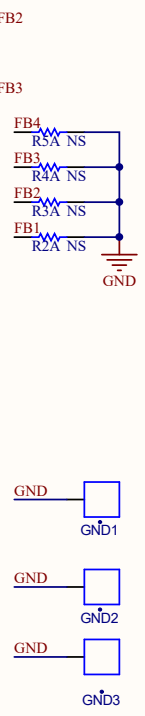
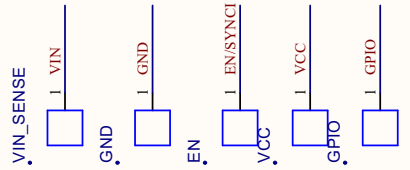
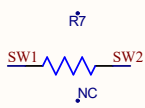
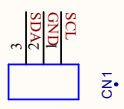
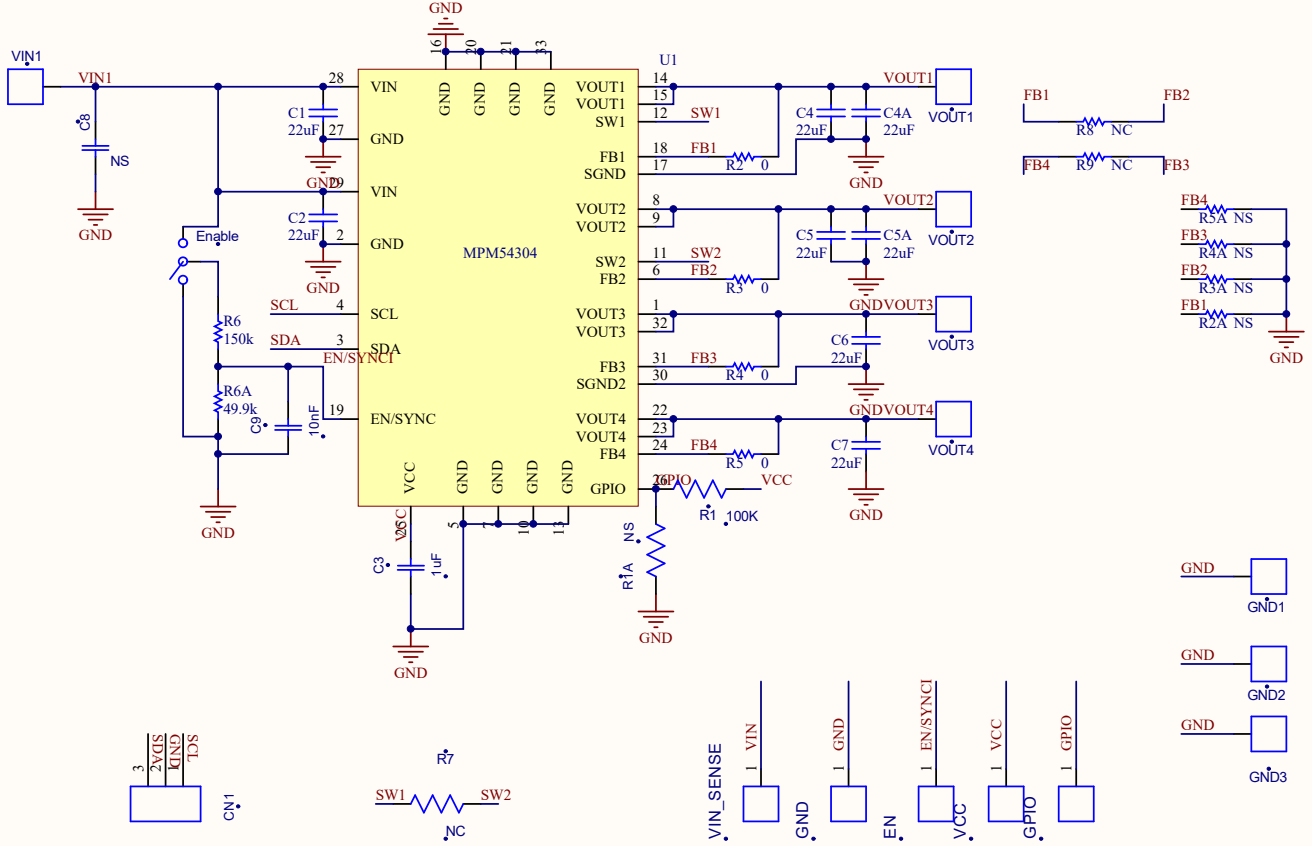
D

A

B

C

D



EMI Filter

Title		
Size	Number	Revision
A4		
Date:	11/17/2020	Sheet of
File:	C:\Users\...\EVM54304-MN-01A.SchDoc	Drawn By: