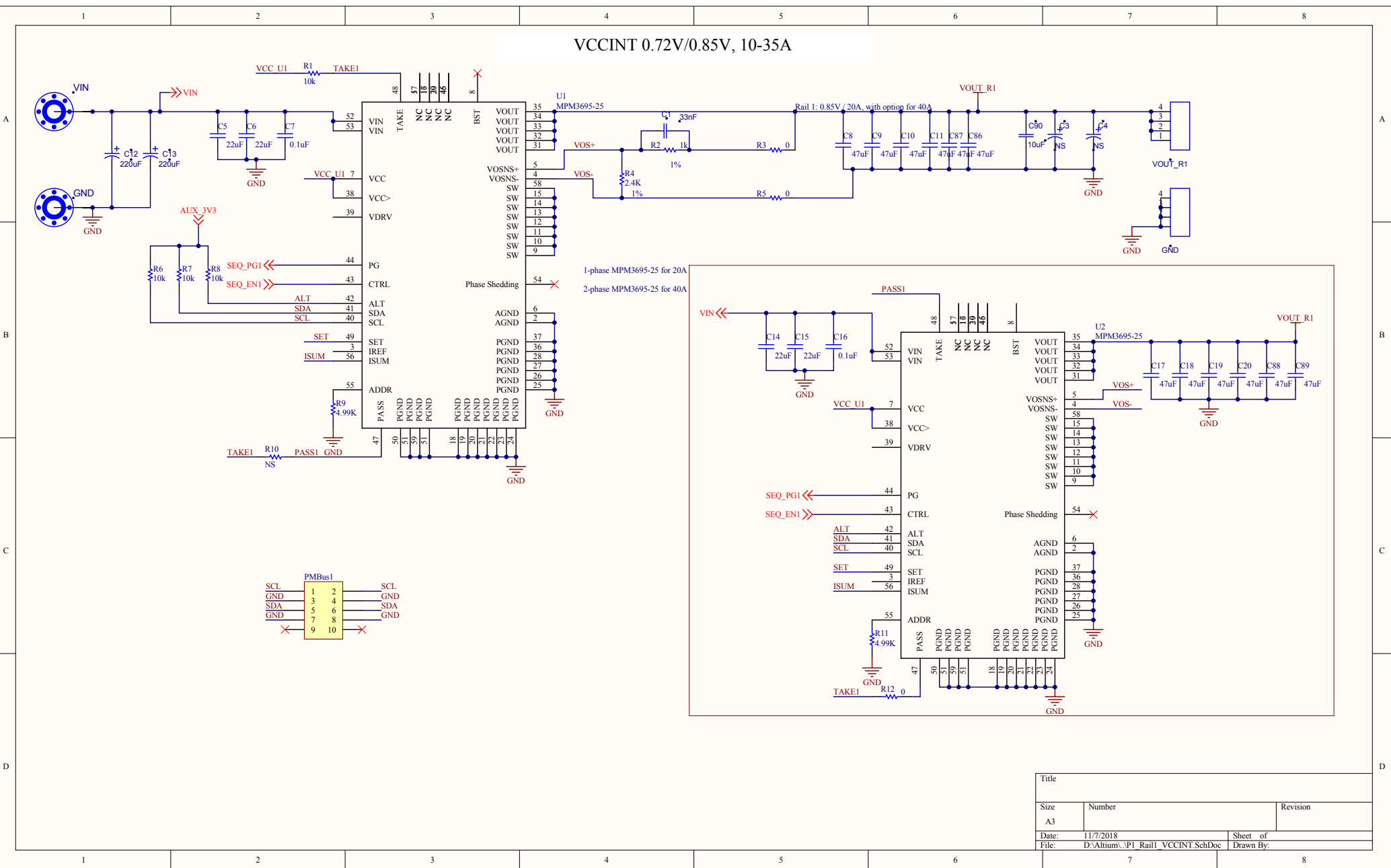


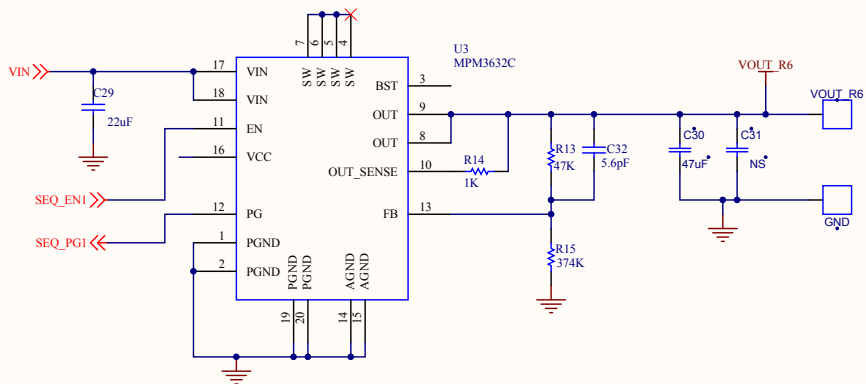
VCCINT 0.72V/0.85V, 10-35A



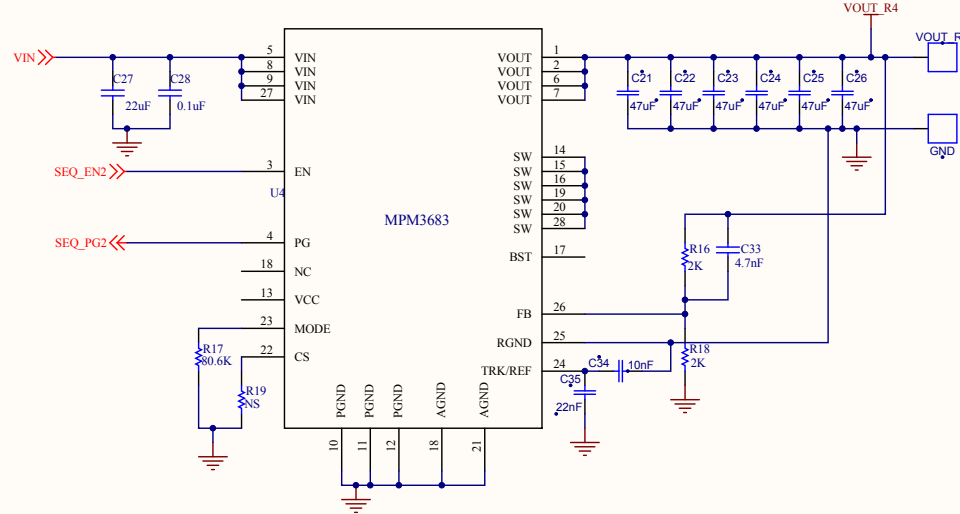
1-phase MPM3695-25 for 20A
 2-phase MPM3695-25 for 40A

Title		
Size	Number	Revision
A3		
Date:	11/7/2018	Sheet of
File:	D:\Altium\PI_Rail1_VCCINT.SchDoc	Drawn By:

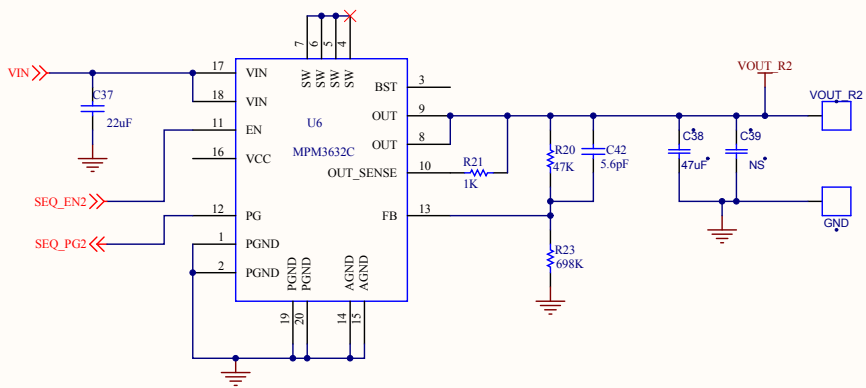
MGTAVCC 0.9V, 2.2A



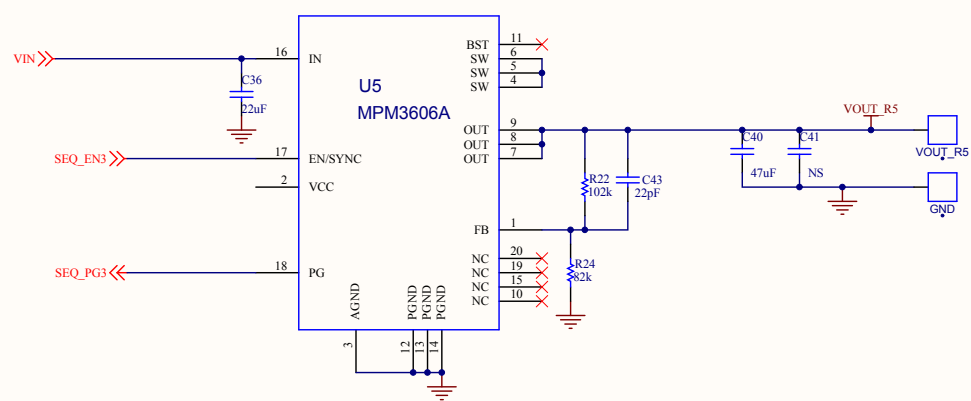
MGTAVTT 1.2V, 4A



VCCBRAM/VCCINTIO 0.85V/0.9V, 1.5A

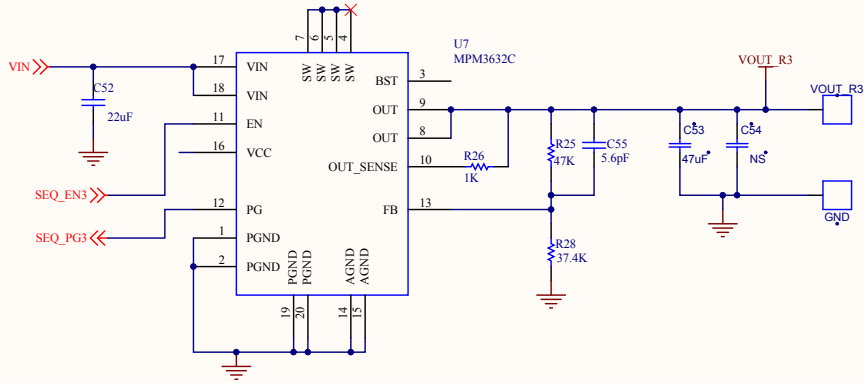


MGTVAUX 1.8V, 0.1A

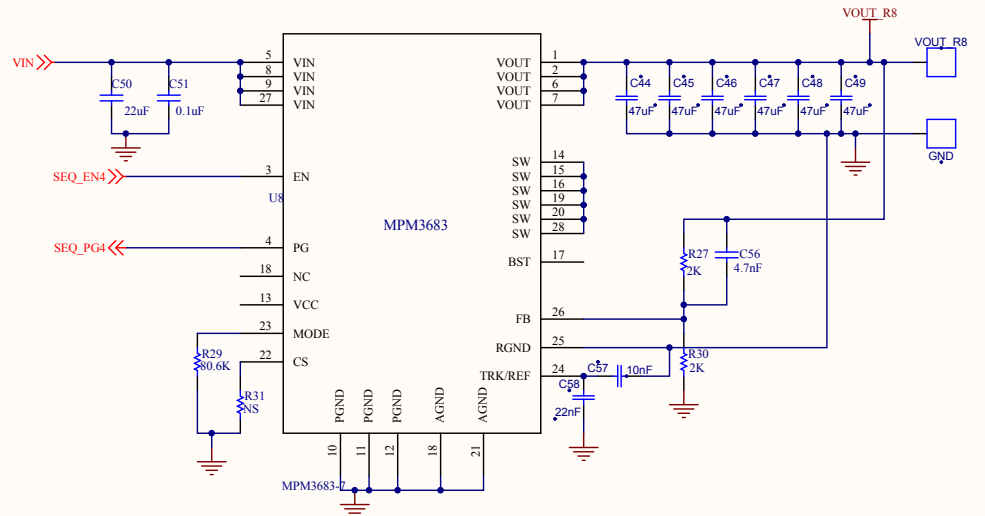


Title		
EVREF0102A		
Size	Number	Revision
A		0.1
Date:	11/7/2018	Sheet 2 of 8
File:	D:\Altium\LP2_Rail_2_Rail4_Rail5_Rail6_Schematic By: Christian Cross	

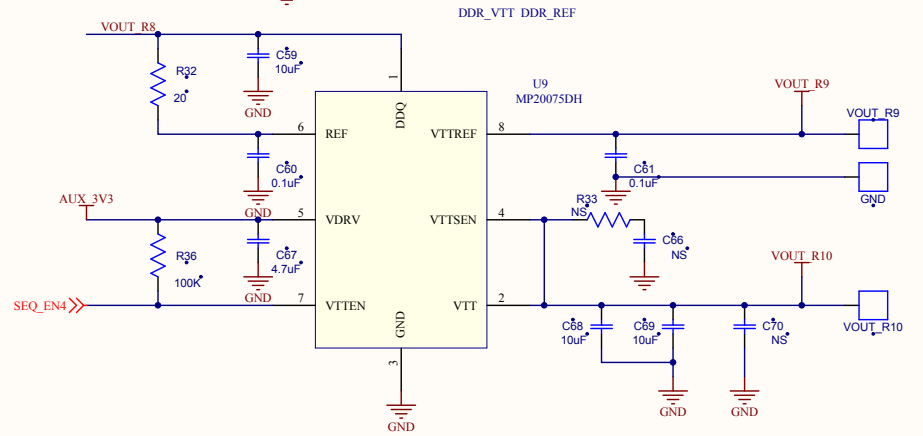
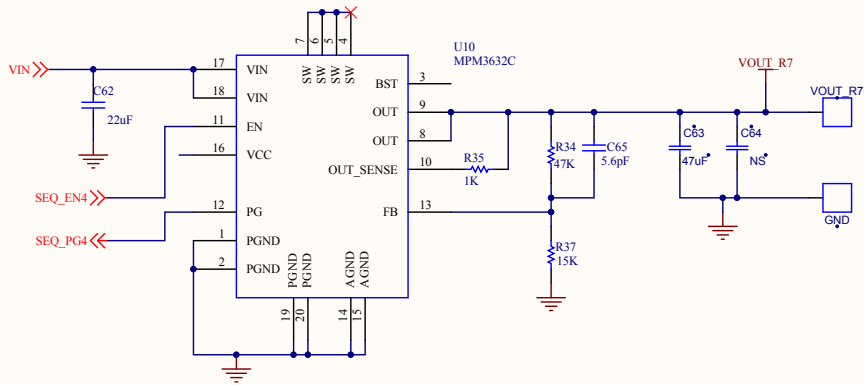
VCCAUX/ADC 1.8V, 2A



VCC_DDR 1.2V, 7A

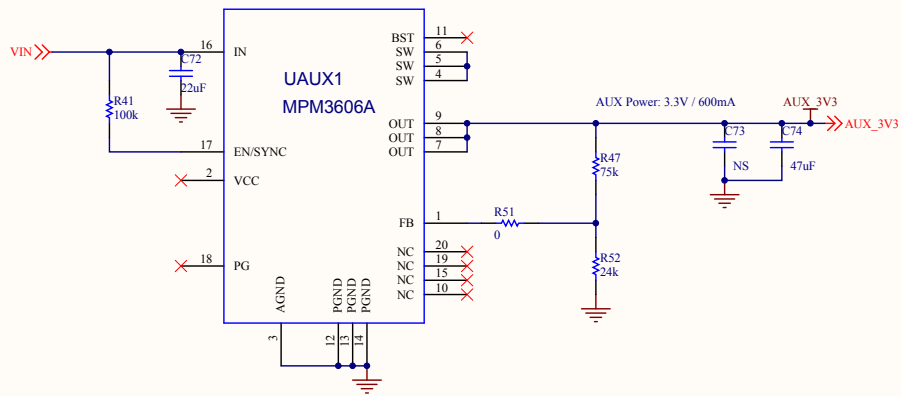


VCC_IO 3.3V, 3A

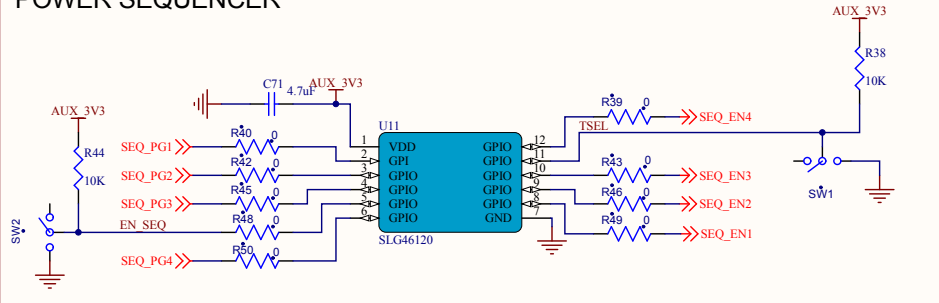


Title		
EVREF0102A		
Size	Number	Revision
A		0.1
Date:	11/7/2018	Sheet 3 of 8
File:	D:\Altium\UP3 Rail 3 7 8 9 10.SchDoc	Drawn By: Christian Cross

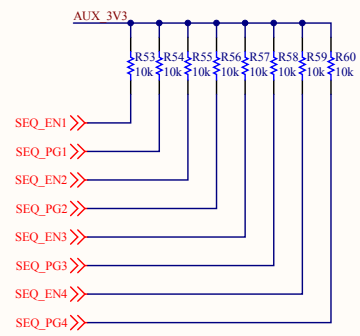
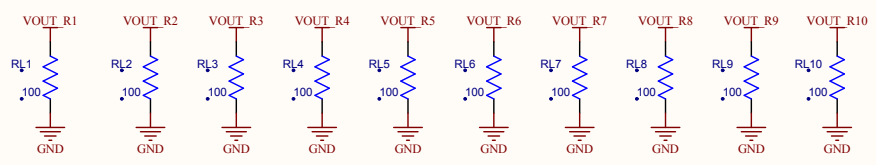
ALWAYS ON AUXILIARY 3.3V SUPPLY



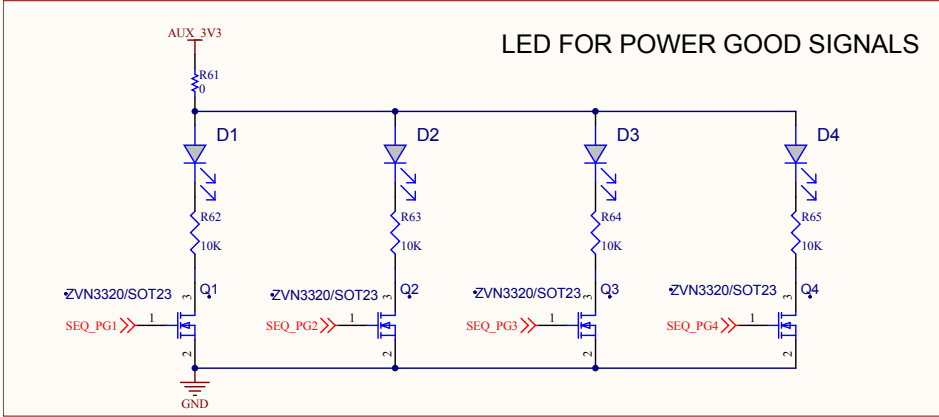
POWER SEQUENCER



OPTIONAL DUMMY LOAD

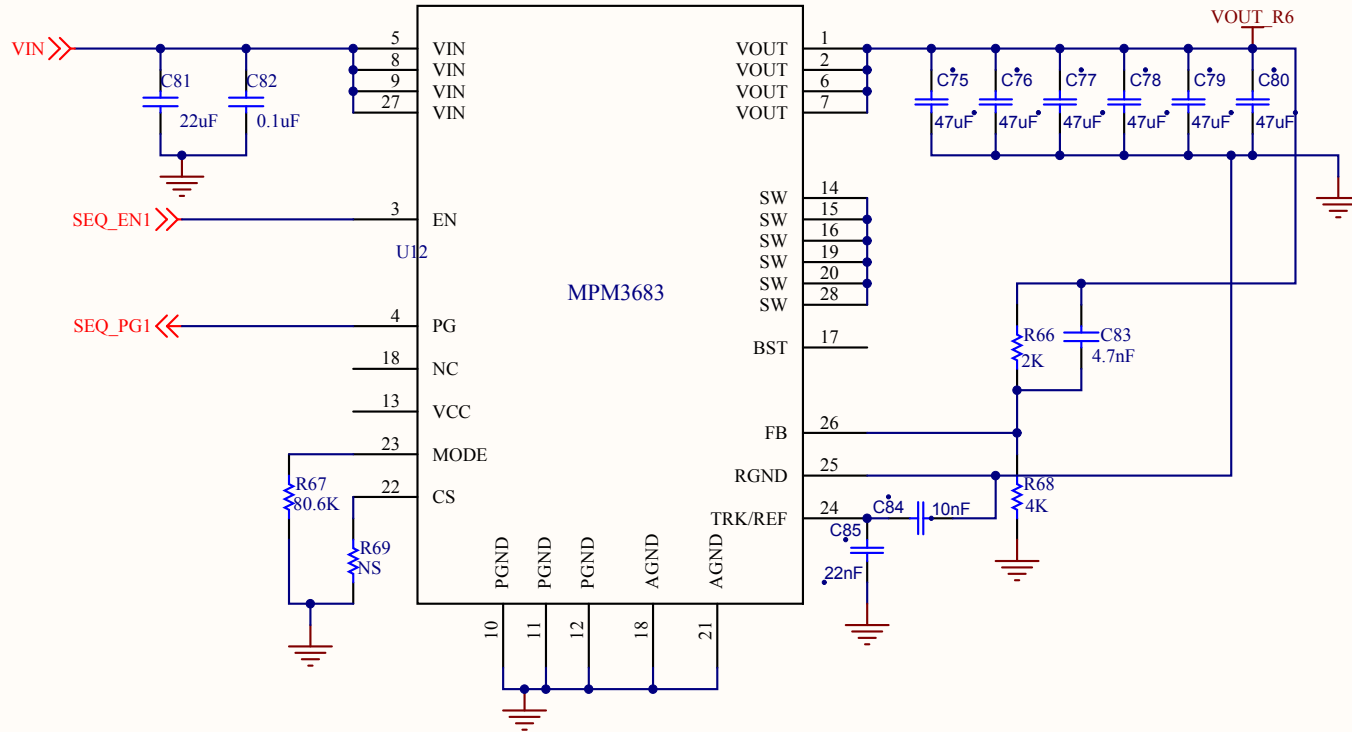


LED FOR POWER GOOD SIGNALS



Title		
Size	Number	Revision
A		0.1
Date:	11/7/2018	Sheet 4 of 8
File:	D:\Altium\IP4_AUX_Circuit.SchDoc	Drawn By:

MGTAVCC 0.9V, 2.2A



Title		
Size	Number	Revision
A		
Date:	11/7/2018	Sheet of
File:	D:\Altium\...\AP5_Rail_6.SchDoc	Drawn By: