

1 2 3 4 5 6

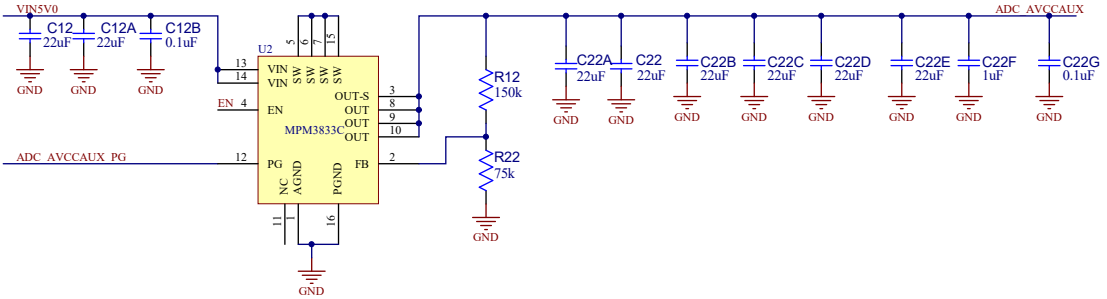
A

B

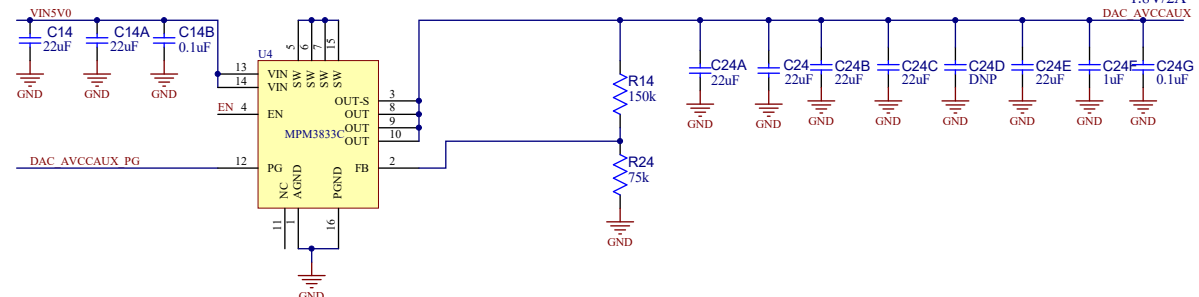
C

D

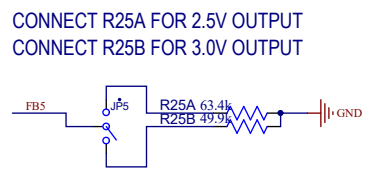
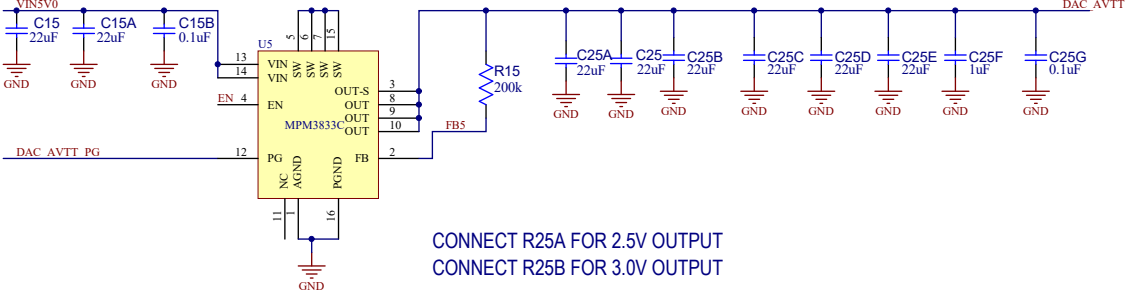
ADC_AVCCAUX RAIL



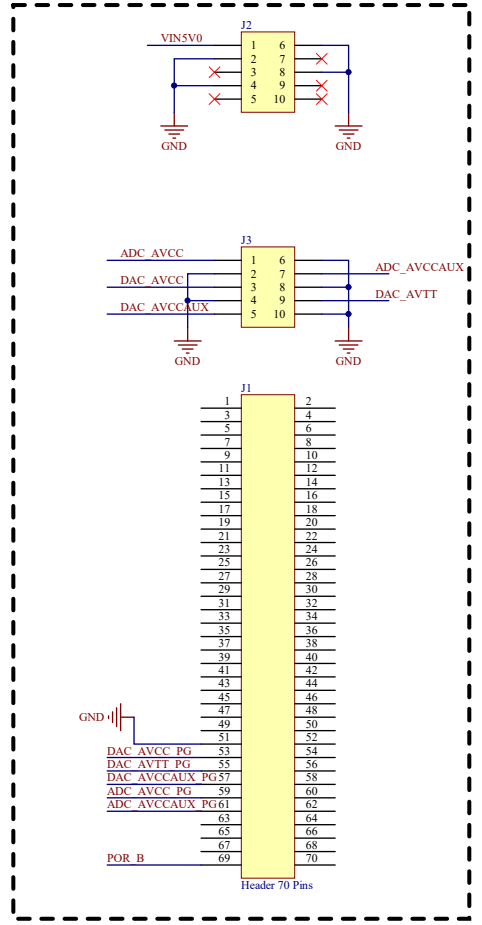
DAC_AVCCAUX RAIL



DAC_AVTT RAIL

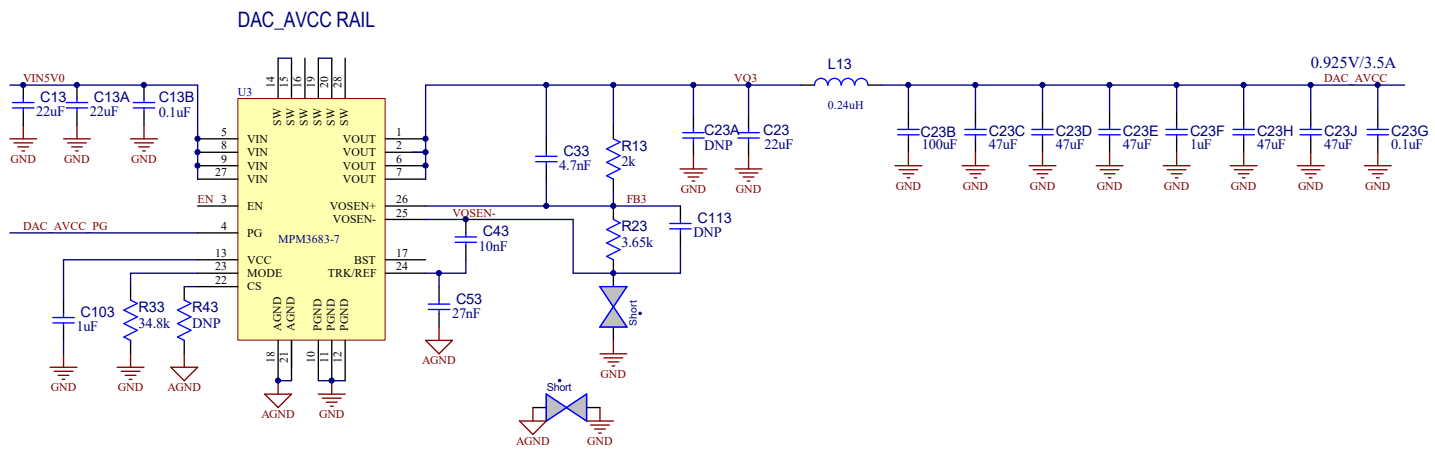
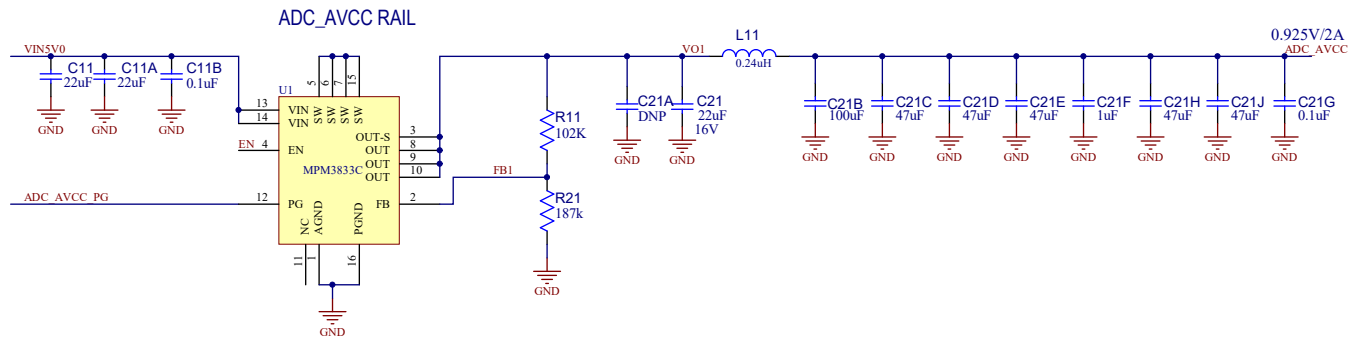


MODULE CONNECTORS



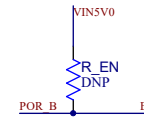
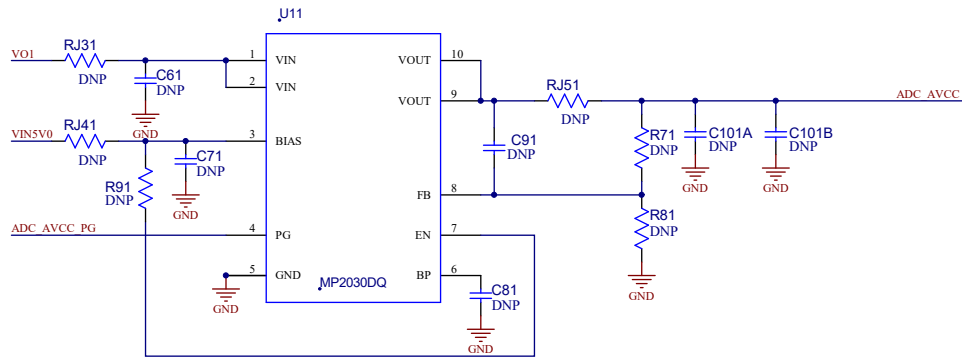
Title SCHEMATIC		
ANALOG POWER MODULE FOR XILINX ZCU1275		
Size B	Number EVREF0102A	Revision 1
		Sheet 1 of 3
		Drawn By: HYANG

1 2 3 4 5 6



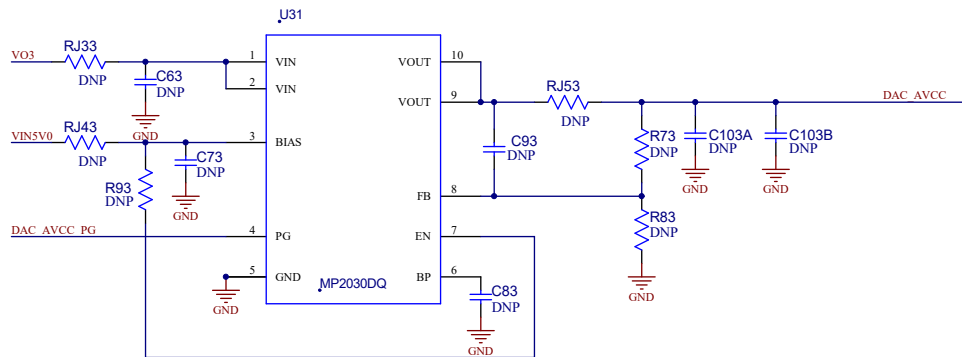
Title		
SCHEMATIC ANALOG POWER MODULE FOR XILINX ZCU1275		
Size	Number	Revision
B	EVREF0102A	1
Sheet 2 of 3		
Drawn By: H YANG		

OPTIONAL LDO FILTER FOR ADC_AVCC RAIL



OPTIONAL PULL-UP RESISTOR
 POPULATE 100k FOR SELF-ENABLE
 DO NOT POPULATE IF PULL-UP IS PROVIDED ON MOTHERBOARD

OPTIONAL LDO FILTER FOR DAC_AVCC RAIL



Title SCHEMATIC ANALOG POWER MODULE FOR XILINX ZCU1275		
Size B	Number EVREF0102A	Revision 1
Sheet 3 of 3		Drawn By: HYANG