

REV.	DESCRIPTION	DATE	AUTHOR
v1.0	Initial version of the board	Jun, 2018	Oriol Cos
v1.1	Changes in this version: 1.- Add a CM filter L5 2.- Remove EARTH ACIN sense 3.- Add PFC Snubber 4.- Synchronus rectification (MP6924) 5.- CCCV controller (MP26085) 6.- LC Output Filter L6 7.- Circuitry to implement a soft battery connection	Oct, 2018	Oriol Cos
v1.2	Changes in this version: 1.- Add C82, C83, C84. 2.- Add R77A R125, R126 to help with the power dissipation of the LDO. 3.- Add R127 and R128 to protect the MOSFETs. 4.- Increase C1 to pass EN55032 Class B.	Nov, 2019	Oriol Cos

PAGE N°	DOCUMENT NAME
1	MAIN_005
2	PFC
3	LLC
4	CTRL

A

A

B

B

C

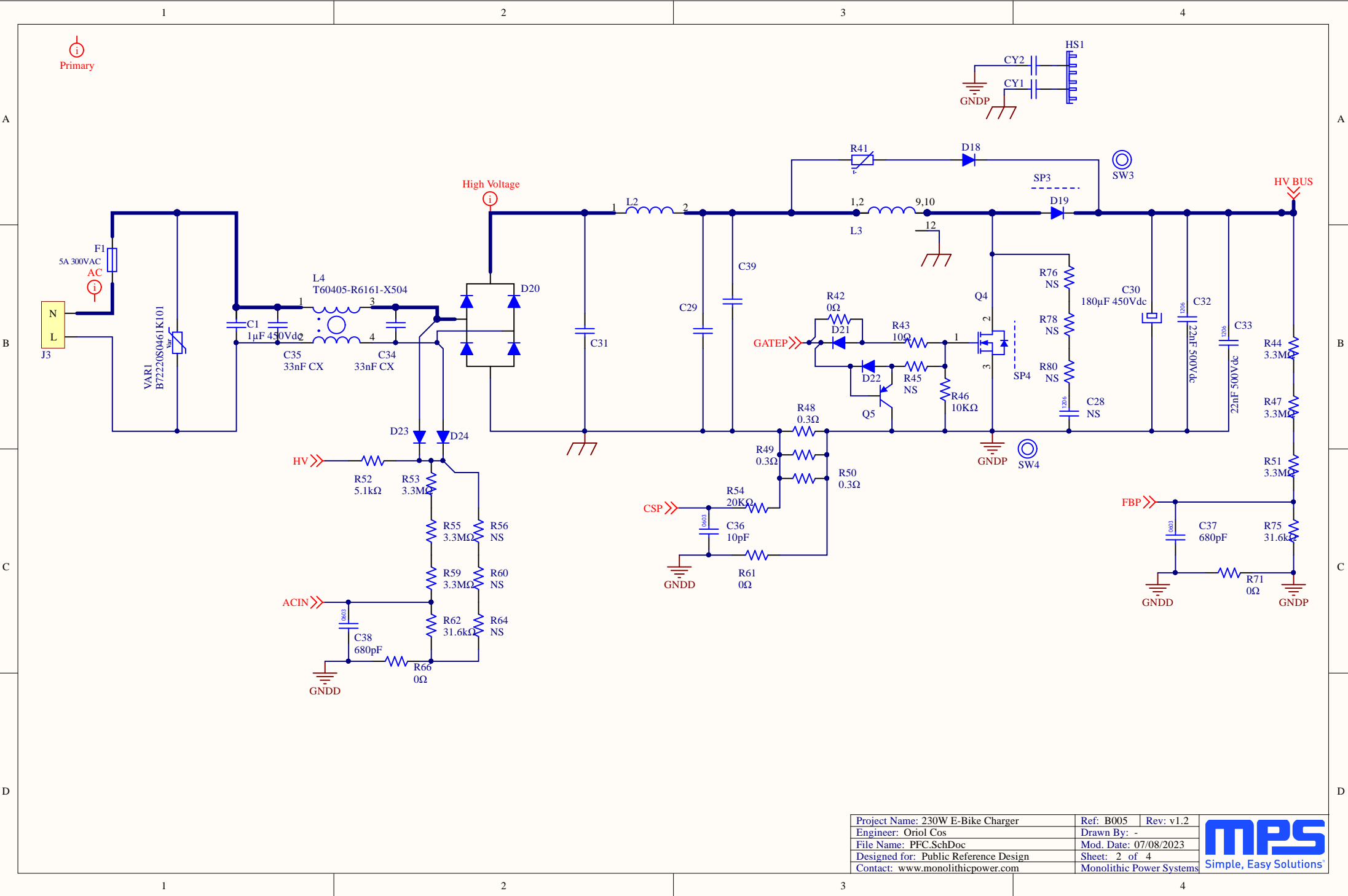
C

D

D

Project Name: 230W E-Bike Charger	Ref: B005	Rev: v1.2
Engineer: Oriol Cos	Drawn By: -	
File Name: Main_005.SchDoc	Mod. Date: 07/08/2023	
Designed for: Public Reference Design	Sheet: 1 of 4	
Contact: www.monolithicpower.com	Monolithic Power Systems	

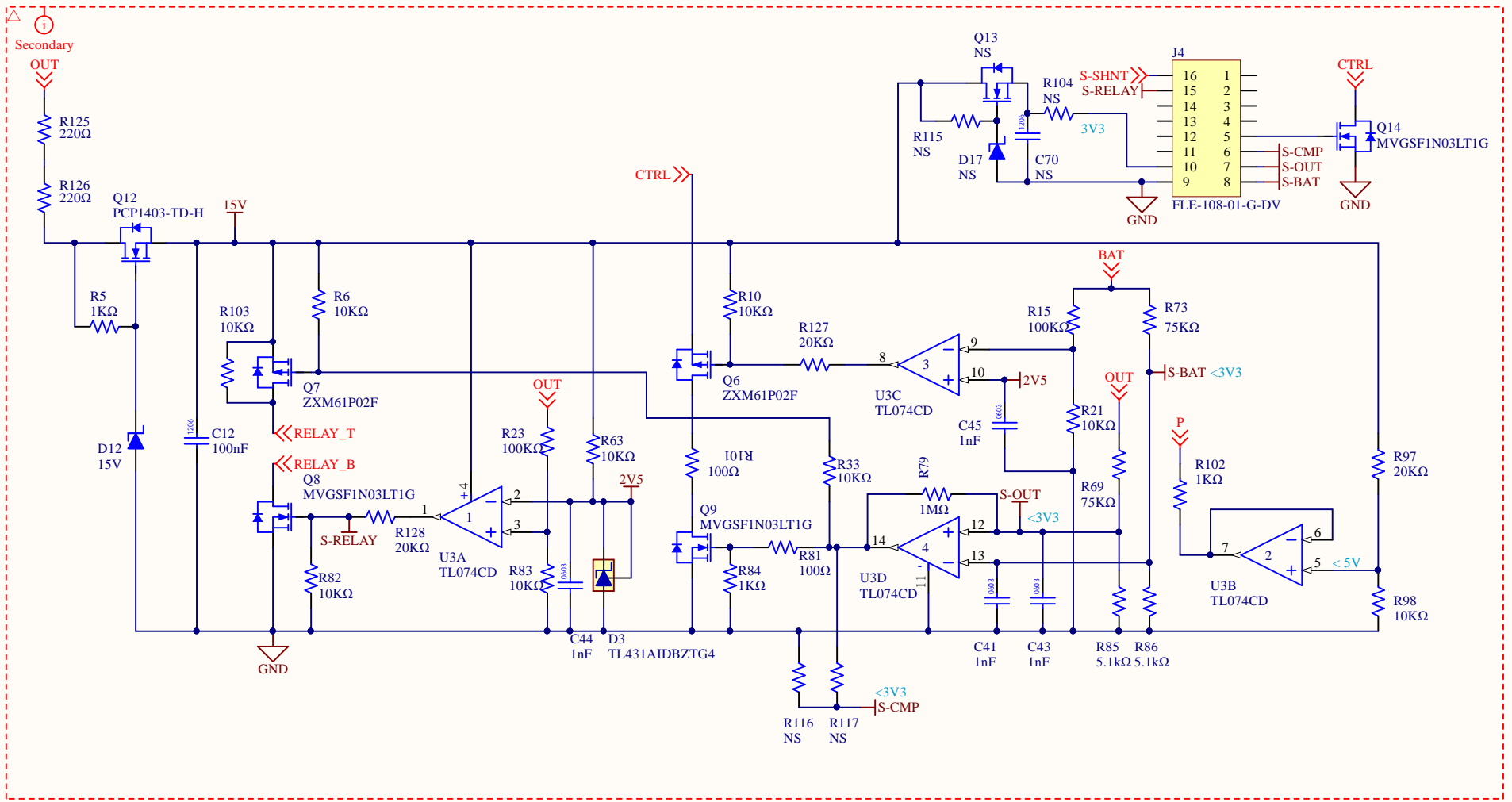




Project Name: 230W E-Bike Charger	Ref: B005	Rev: v1.2
Engineer: Oriol Cos	Drawn By: -	
File Name: PFC.SchDoc	Mod. Date: 07/08/2023	
Designed for: Public Reference Design	Sheet: 2 of 4	
Contact: www.monolithicpower.com	Monolithic Power Systems	



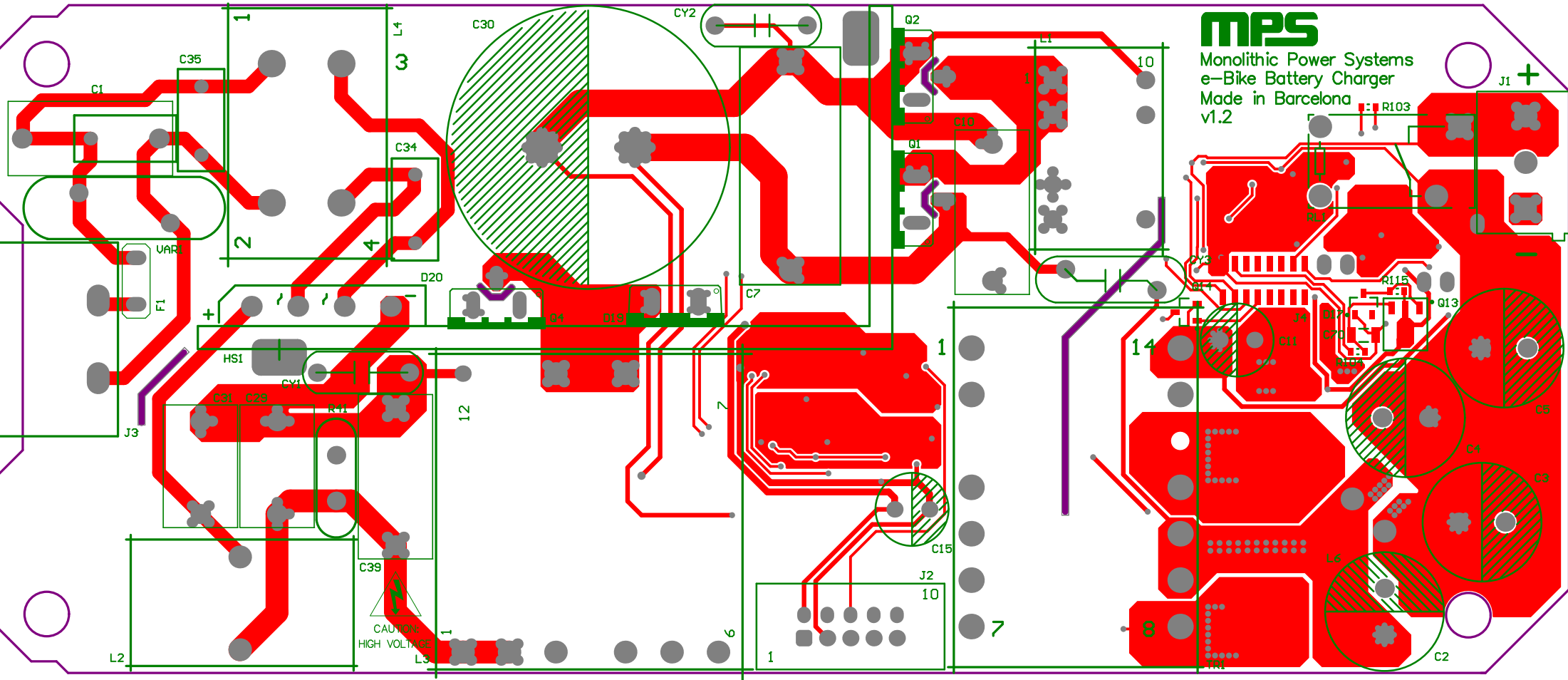




Project Name: 230W E-Bike Charger	Ref: B005	Rev: v1.2
Engineer: Oriol Cos	Drawn By: -	
File Name: CTRL.SchDoc	Mod. Date: 07/08/2023	
Designed for: Public Reference Design	Sheet: 4 of 4	
Contact: www.monolithicpower.com	Monolithic Power Systems	



**MPS**  
Monolithic Power Systems  
e-Bike Battery Charger  
Made in Barcelona  
v1.2



CAUTION:  
HIGH VOLTAGE

