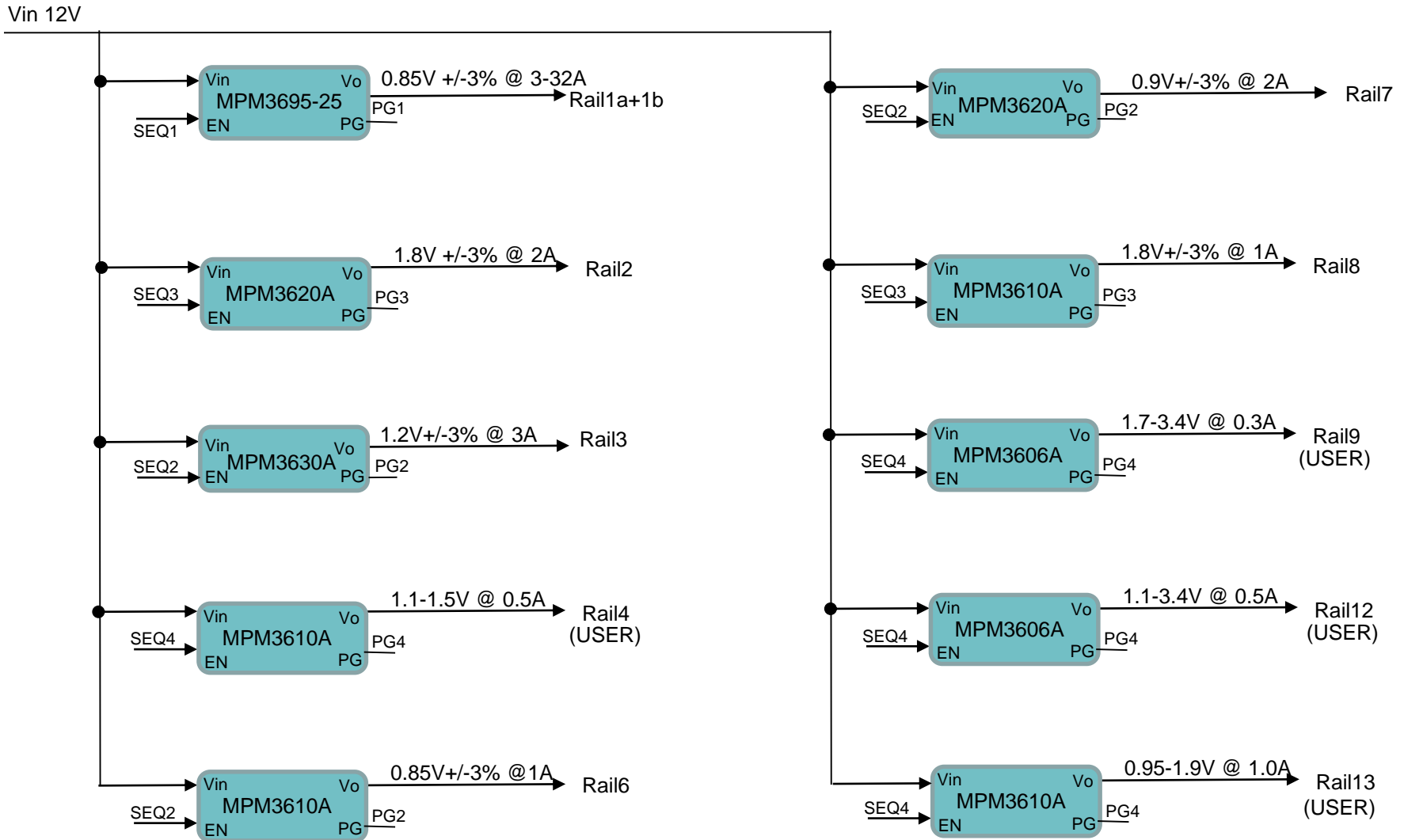




Block Diagram – EVB EVREF0101-B



To order EVB please contact MPS at referencedesign@monolithicpower.com

