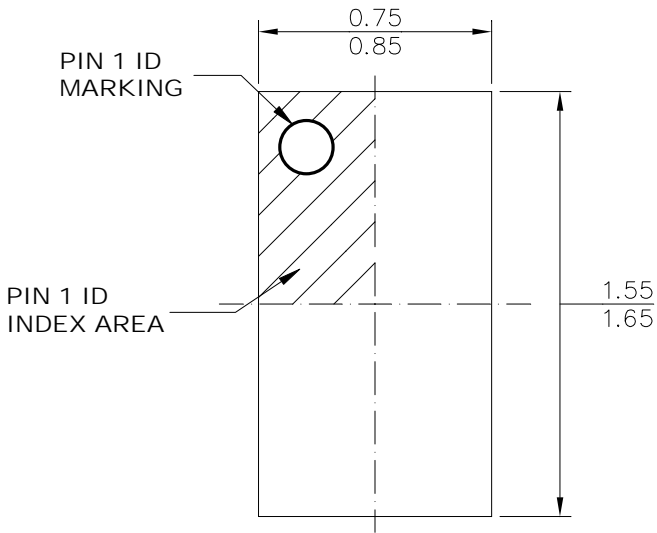
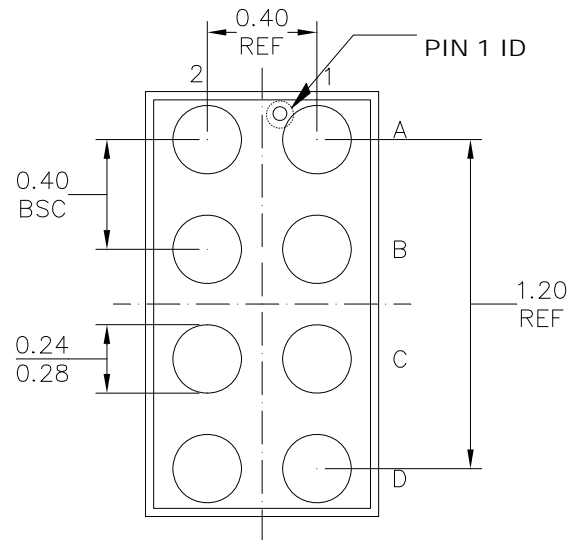


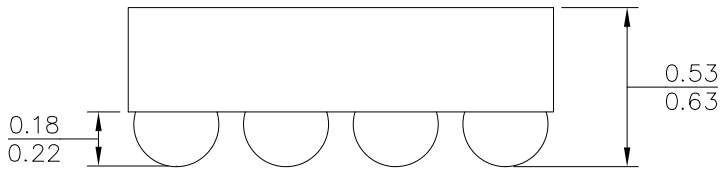
PACKAGE OUTLINE DRAWING FOR 8L WLCSP (0.8X1.6MM)
MF-PO-D-0174 revision 0.0



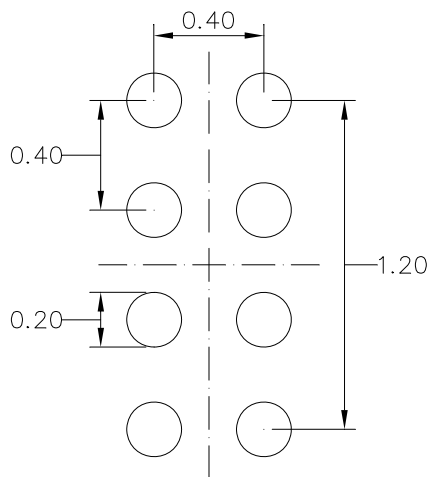
TOP VIEW



BOTTOM VIEW



SIDE VIEW



RECOMMENDED LAND PATTERN

NOTE:

- 1) ALL DIMENSIONS ARE IN MILLIMETERS.**
- 2) BALL COPLANARITY SHALL BE 0.05 MILLIMETER MAX.**
- 3) JEDEC REFERENCE IS MO-211, VARIATION BC.**
- 5) DRAWING IS NOT TO SCALE.**