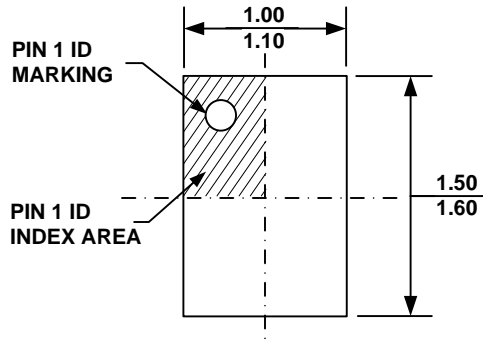
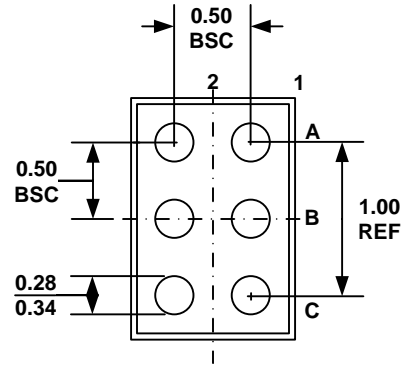


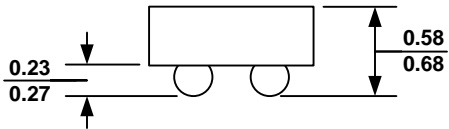
**PACKAGE OUTLINE DRAWING FOR 6L WLCSP (1.0x1.5mm)**  
**MF-PO-D-0088 revision 1.0**



**TOP VIEW**



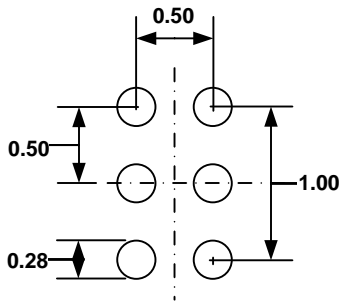
**BOTTOM VIEW**



**SIDE VIEW**

**NOTE:**

- 1) ALL DIMENSIONS ARE IN MILLIMETERS.
- 2) BALL COPLANARITY SHALL BE 0.05 MILLIMETER MAX.
- 3) JEDEC REFERENCE IS MO-211, VARIATION BB.
- 4) DRAWING IS NOT TO SCALE.



**RECOMMENDED LAND PATTERN**