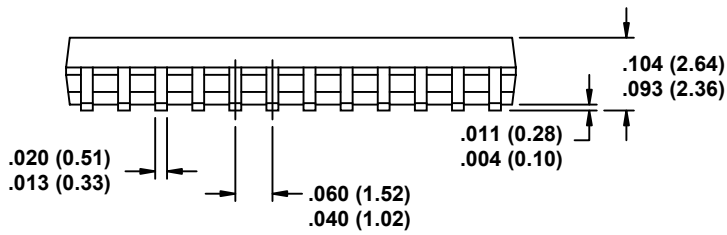
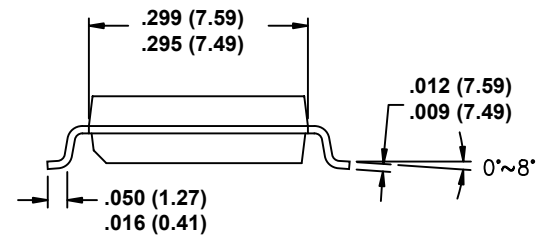
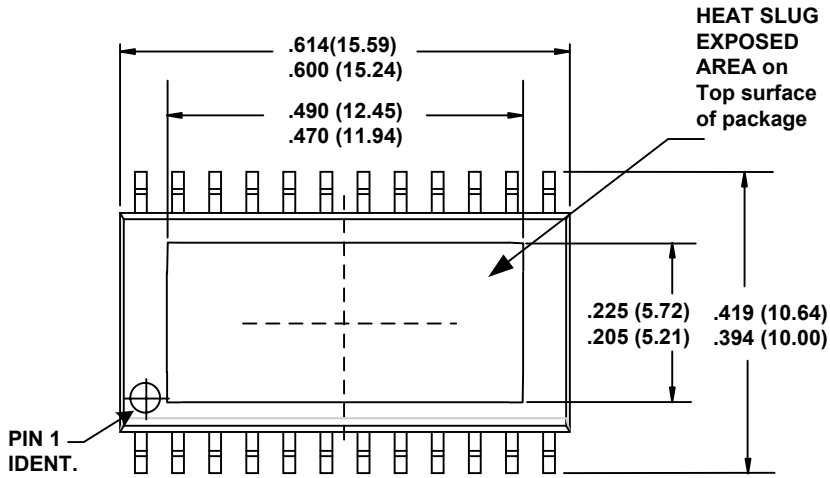


PACKAGE OUTLINE DRAWING FOR 24-SOIC w/HEAT SLUG & REVERSE LEAD BEND
MF-PO-D-0027 revision 0.0



NOTE:

1) Control dimension is in inches. Dimension in bracket is millimeters