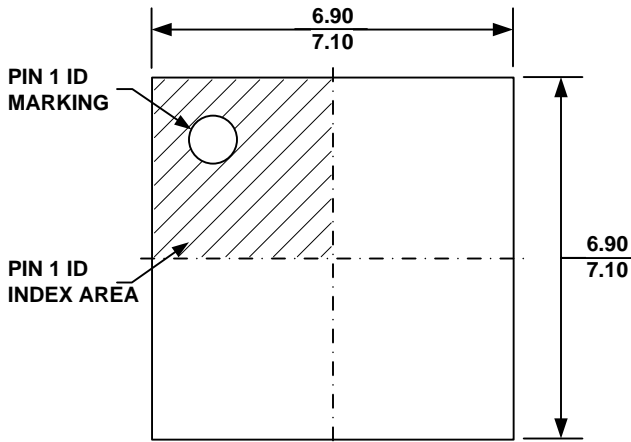
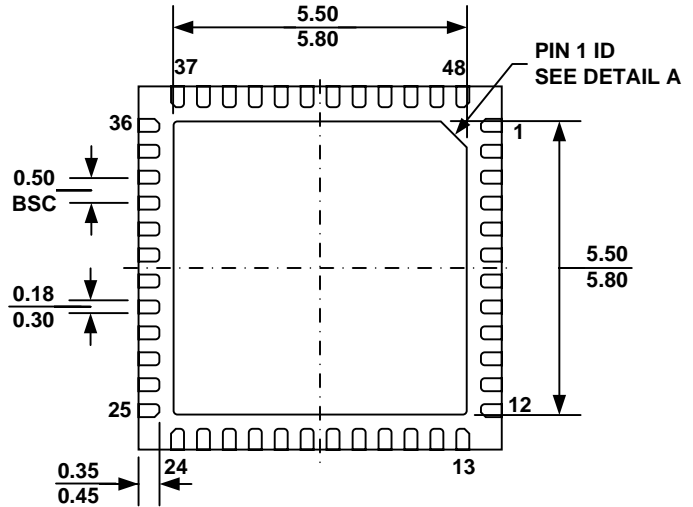


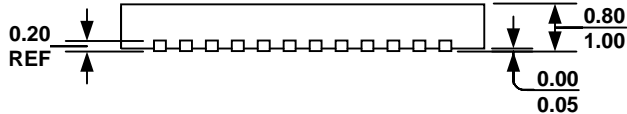
PACKAGE OUTLINE DRAWING FOR 48L QFN (7x7mm)
MF-PO-D-0054 revision 0.0



TOP VIEW

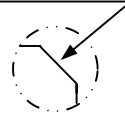


BOTTOM VIEW

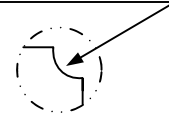


SIDE VIEW

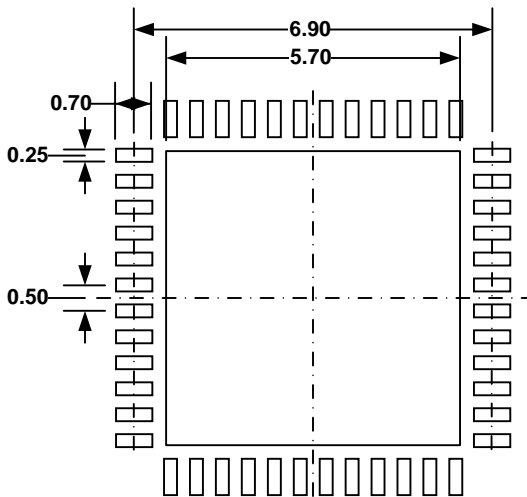
PIN 1 ID OPTION A
0.50x45° TYP.



PIN 1 ID OPTION B
R0.35 TYP.



DETAIL A



RECOMMENDED LAND PATTERN

NOTE:

- 1) ALL DIMENSIONS ARE IN MILLIMETERS.
- 2) EXPOSED PADDLE SIZE DOES NOT INCLUDE MOLD FLASH.
- 3) LEAD COPLANARITY SHALL BE 0.10 MILLIMETER MAX.
- 4) DRAWING CONFIRMS TO JEDEC MO-220, VARIATION VKKD-4.
- 5) DRAWING IS NOT TO SCALE.