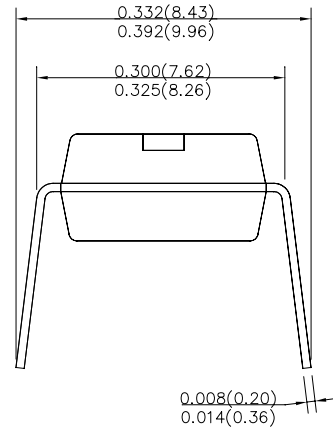
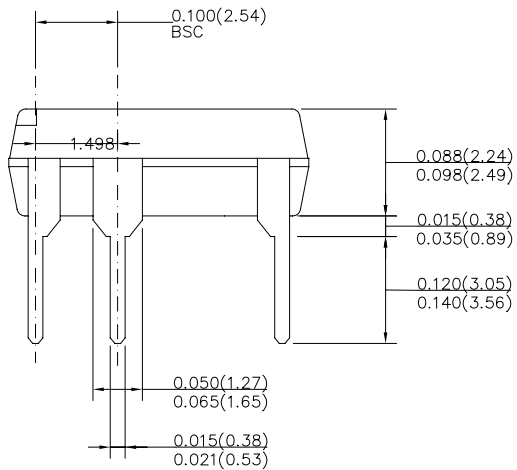
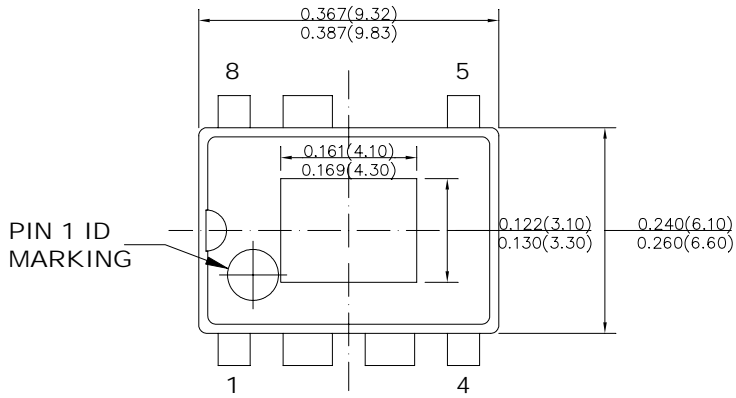


# PACKAGE OUTLINE DRAWING FOR PDIP8-7EP MF-PO-D-0100 revision 1.0



**SIDE VIEW**

**NOTE:**

- 1) CONTROL DIMENSION IS IN INCHES. DIMENSION IN BRACKET IS IN MILLIMETERS.**
- 2) PACKAGE LENGTH AND WIDTH DO NOT INCLUDE MOLD FLASH, OR PROTRUSIONS.**
- 3) JEDEC REFERENCE IS MS-001.**
- 4) DRAWING IS NOT TO SCALE.**